

## Work Positioner M / E series

▲ **Stronger motor, Larger battery 12Ah, Low voltage protection.**

A range of highly maneuverable, lightweight lifts, designed to take the strain out of any lifting job from ground level to over shoulder height.

Ideal for use in narrow aisles and confined spaces. Perfect for all applications from pharmaceutical to catering, from packing line to food processing, from warehouse to office, kitchens, laboratories, retail outlets, etc...

▲ **Manual models:** Operated via a manual winch.

Auto brake system prevents uncontrolled lowering.

▲ **Electric models:** Automatic electronic overload protection system ensures safety.

Maintenance free and sealed batteries, automatic charger.

▲ **Quick change attachment options available.**

▲ **Conforms to EN1757, CE marked.**



All Stainless Steel

**HOT!  
SALE**



M100A/B

M200A/B

E100R/E150R

E200R/E250R/E300R

Enter EURO pallet

**Option attachments:**



Spindle

Double Spindle

Reel Rotator

V Block

Spindle with bearings

Ball Platform

Model No.	M100A/M100B	M200A/M200B	E100R	E150R	E200R	E250R	E300R
Type	Manual		Battery Operated				
Capacity (kg)	100	200	100	150	200	250	300
Load Centre (mm)			235				200
Max. Fork Height (mm)	1500/1800		1700	1500/1800		1500/1800	
Min. Fork Height (mm)			130				125
Platform Size (mm)			470x600				
Overall Size (mm)	840x600x1830	870x600x1920	870x600x1990	870x600x1790		870x740x2220	
Load Wheel (mm)			Φ75				
Steering Wheel (mm)			Φ125				
Battery, Service Free	—		24V/12Ah		24V/20Ah		
Net Weight (kg)	50	60	66	63	85	90	105

## Weighing Work Positioner E-W series

▲ **Stronger motor, Larger battery 12Ah, Low voltage protection.**

A range of highly maneuverable, lightweight lifts, designed to take the strain out of any lifting job from ground level to over shoulder height.

Ideal for use in narrow aisles and confined spaces. Perfect for all applications from pharmaceutical to catering, from packing line to food processing, from warehouse to office, kitchens, laboratories, retail outlets, etc...

▲ **Weighing accuracy:** .1%

▲ Automatic electronic overload protection system ensures safety.

Maintenance free and sealed batteries, automatic charger.

▲ **Quick change attachment options available.**

▲ **Conforms to EN1757, CE marked.**



Weighing Type

Container Clamp Type

Model No.	E100W	E150W	E200W	E250W	E300W
Operation Type	Battery operated				
Load Capacity (kg)	100	150	200	250	300
Min. Fork Height (mm)	130	130	130	130	130
Max. Fork Height (mm)	1700	1500	1500/1800	1500/1800	1500
Load Center (mm)	235	235	200	200	200
Platform Size (mm)	470x600	470x600	470x600	480x610	470x600
Overall Size (mm)	870x600x1990	870x600x1790	870x740x2220	850x740x2200	870x740x1920
Front Load Roller (mm)	φ75	φ75	φ75	φ75	φ75
Steering Wheel (mm)	φ125	φ125	φ125	φ125	φ125
Wheels Material/Number	PJ,2/2	PJ,2/2	PJ,2/2	PJ,2/2	PJ,2/2
Net Weight (kg)	66	63	85	90	92



## Aluminum Winch Lifter WFA series



- ▲ Forks down for lifting goods, Forks up for supporting
- ▲ Easy Disassembling and assembling .
- ▲ Can fit into smaller spaces when disassembled.
- ▲ Equipped with wheels on the mast also allow it to be used as a trolley .
- ▲ Light Alumium mast, easy for handling.
- ▲ Lift by winch,no any hydraulic problem.
- ▲ The best brake function with special design is obvious.



Model No.	Load Cap.		Lifting Height (m)		Overall Dimesion (cm)			Load Center(mm)
	(kg)	(lb)	Forks Up(m)	Forks Dow n(m)	L(mm)	W(mm)	H(mm)	
WFA181	181	400	3	2.5	876	610	1700	254
WFA227	227	500	1.8	1.2	876	610	1700	254

## Aluminum Winch Lifter WFB series

- ▲ Forks down for lifting goods, Forks up for supporting
- ▲ Easy Disassembling and assembling .
- ▲ Can fit into smaller spaces when disassembled.
- ▲ Equipped with wheels on the mast also allow it to be used as a trolley .
- ▲ Light Alumium mast, easy for handling.
- ▲ Lift by winch,no any hydraulic problem.
- ▲ The best brake function with special design is obvious.
- ▲ Straddle Legs with much more stable.
- ▲ With high lifting height.



Model No.	Load Cap.		Lifting Height(m)		Overall Dim.(mm)			Load Center(mm)
	(kg)	(lb)	Forks Up(m)	Forks Dow n(m)	L(mm)	W(mm)	H(mm)	
WFB159	159	350	3.6	3	1100	736	2024	254
WFB181	181	400	3	2.5	1100	736	1700	254
WFB227	227	500	1.8	1.2	1100	736	1700	254

## Aluminum Winch Lifter WFC series

- ▲ Forks down for lifting goods, Forks up for supporting
- ▲ Easy Disassembling and assembling .
- ▲ Can fit into smaller spaces when disassembled.
- ▲ Equipped with wheels on the mast also allow it to be used as a trolley .
- ▲ Light Alumium mast, easy for handling.
- ▲ Lift by winch,no any hydraulic problem.
- ▲ The best brake function with special design is obvious.



Model No.	Load Cap.		Lifting Height(m)		Overall Dim.(mm)			Load Center(mm)
	kg	lb	Forks Up(m)	Forks Dow n(m)	L(mm)	W(mm)	H(mm)	
WFC159	159	350	3.6	3	1100	736	2024	254
WFC181	181	400	3	2.5	1100	736	1700	254
WFC227	227	500	1.8	1.2	1100	736	1700	254

## Aluminum Winch Lifter WFD series

- ▲ Quickly convert from a lifter and a platform trolley.
- ▲ Easy Disassembling and assembling.
- ▲ Can fit into smaller spaces when disassembled.
- ▲ Light Alumium mast, easy for handling.
- ▲ Lift by winch,no any hydraulic problem.
- ▲ The best brake function with special design is obvious.
- ▲ Lifting runners with flanged rollers, operated with safety winch.
- ▲ The right mini-lifter for every load.
- ▲ Manoeuvrable, powerfull lifting devices-can be used for any lifting work.



Model No.	Load Capacity	Lifting Height	Platform Size	Extended size	Folded size	Net Weight
	(kg/lb)	(m)	(mm)	(mm)	(mm)	(kg)
WFD90	90/198	1.6	450x430	760x560x1130	360x560x1130	30.5



## Aluminum Winch Lifter SML series

- ▲ Forks up is for supporting, Forks down is for loading goods.
- ▲ Lifting height from 3 meters to Max. 7.9 meters
- ▲ Designed specifically for the construction industry.
- ▲ These heavy-duty units can be operated by one person to lift, lower and move.
- ▲ Glide rails allow one person to easily load or unload the unit, as well as lift it in or out of a pickup truck.

**HOT! SALE**



**Standard Equipment**

- \* Heavy duty design
- \* Casters with brake
- \* Adjustable pick-up device
- \* Folded store design
- \* Safety bar on transport
- \* Folded handle
- \* Hydraulic
- \* Standard fork
- \* Compact design

**Options:**

- \* Adjustable fork
- \* Extended fork
- \* Load platform
- \* Boom

Model No.		SML35	SML50	SML65	SML79
Standard Forks	(m)	3.5m	5m	6.5m	7.9m
	(ft)	9.9 ft	16.4 ft	21.3ft	25.9ft
Length Operating	(cm)	146cm	184cm	204cm	204cm
	(in)	57 1/2in	72 1/2in	80 1/2in	80 1/2in
Load Capacity	(kg)	350kg	300kg	250kg	200kg
	(lbs)	1000lbs	800lbs	800lbs	550lbs
Length-Stow ed	(cm)	74cm	74cm	74cm	79cm
	(in)	29in	29in	29in	31in
Width Standard Base	(cm)	80cm	80cm	80cm	80cm
	(in)	31 1/2in	31 1/2in	31 1/2in	31 1/2in
Height-Stow ed	(cm)	199cm	199cm	199cm	199cm
	(in)	78 1/2in	78 1/2in	78 1/2in	78 1/2in
Net Weight	(kg)	117.9kg	143.8kg	183.7kg	204.1kg
	(lbs)	260lbs	317lbs	450lbs	450lbs

## Mini Winch Lifter LS series

- ▲ Robust, lightweight, steel construction.
- ▲ Maneuverable, extremely easy to use.
- ▲ Cable winch lifting system with fully cable housing.
- ▲ Adjustable fork from 132mm to 520mm.
- ▲ Platform is a standard accessory.



Platform is a standard accessory



Standard Adjustable fork Type B



New adjustable fork as option Type A



LS80

Model No.		LS80	LS150
Capacity	(kg)	80	150
Load Centre	(mm)		250
Lifting Height	(mm)		1100
Straddle Leg Height	(mm)		85
Min. Fork Height	(mm)		70
Fork Length	(mm)		500
Individual Fork Width	(mm)		50
Platform Size	(mm)		500x530x90
OverAdjustable Fork Width	(mm)		132-520
Effort Force with Load	(N)	82	106
Load Wheel	(mm)		Ø100x30
Steering Wheel	(mm)		Ø100x30
Overall Dimensions	(mm)	865x550x1470	830x580x1475
Net Weight	(kg)	52	62

**Important:** Forks MUST be in Max. fork width position when fit platform on two forks.

## Mini Winch Lifter PM series

- ▲ Lightweight design, very easy to operate by hand winch.
- ▲ Suitable for super market, office, warehouse, narrow area, etc.
- ▲ Adjustable fork.

**HOT! SALE**



PM120A



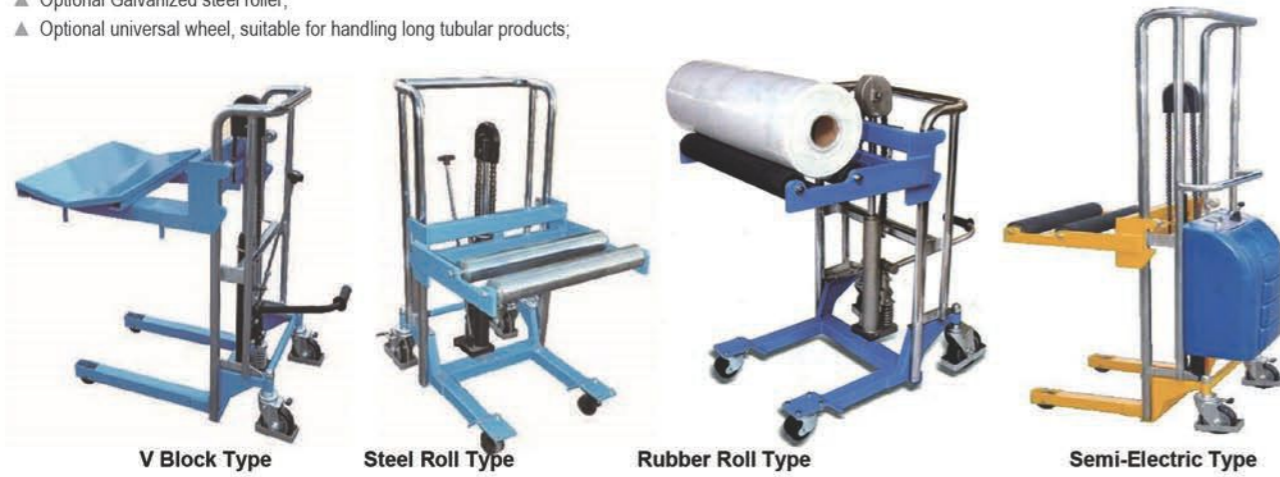
PM120B

Model No.		PM120A	PM120B
Capacity	(kg)		120
Lifting Height	(mm)		1050
Min. Fork Height	(mm)		95
Fork Length	(mm)		400
Individual Fork Width	(mm)		50
Fork Width	(mm)		adjustable 345-485mm
Load Wheel	(mm)		Ø50x20
Steering Wheel	(mm)		Ø200/50-140
Net Weight	(kg)		31



## Roll Lifter PFG series

- ▲ Frame is made of high quality cold drawn seamless steel tube;
- ▲ Specially designed for printing, packaging and paper industry;
- ▲ Used for handling rolls of different materials;
- ▲ Optional Galvanized steel roller;
- ▲ Optional universal wheel, suitable for handling long tubular products;



Model No.	PFG4087	PFG4120	PFG4150
Load Capacity (kg)	400	400	400
Workable diameter of Roll (mm)	200-600	200-600	200-600
Min. Roll Height (mm)	220	220	220
Max. Lifting Height (mm)	870	1200	1500
Distance between Rollers (mm)	180	180	180
Roller size (mm)	Ø76*550	Ø76*550	Ø76*550
Overall Size (mm)	840*630*1070	840*630*1460	840*630*1760
Front Wheel Size(Nylon) (mm)	Ø75*30	Ø75*30	Ø75*30
Rear Wheel Size(Nylon) (mm)	Ø150*38	Ø150*38	Ø150*38
Pump Strokes	30	45	58
Net Weight (kg)	78	78	88



## Roll Lifter PJR series

- ▲ Frame is made of high quality cold drawn seamless steel tube;
- ▲ Specially designed for printing, packaging and paper industry;
- ▲ Used for handling rolls of different materials;
- ▲ Universal wheels;



Model No.	PJR4085	PJR4120	PJR4150
Load Capacity (kg)	400	400	400
Lifting Height (mm)	850	1200	1500
Max.Roll Width (mm)	2500	5000	5000
Max.Roll Diameter (mm)	400	400	400
Overall Height (mm)	1060	1410	1710
Tray Length (mm)	800	1200	1200
Load Rollers (mm)	150	150	150
Steering Rollers (mm)	150	150	150
Net Weight (kg)	80	84	88

## Roll Lifter MRL / ERL series

**HOT!  
SALE**

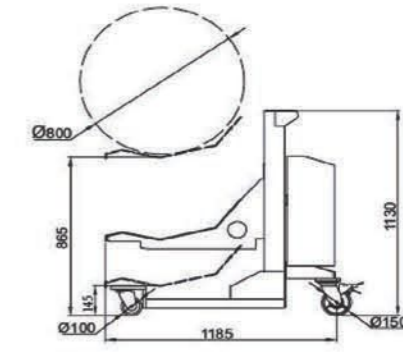
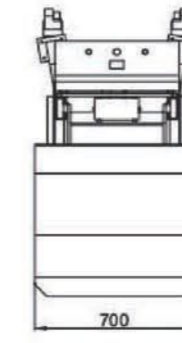
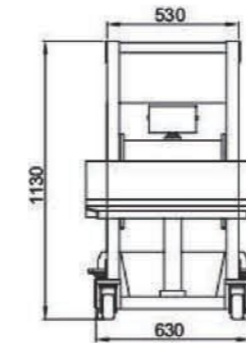
- ▲ Designed for lifting and transporting cylindrical material like paper roll, film roll...
- ▲ Structure made of high resistance steel rolled section to ensure the height degree of strength and durability.
- ▲ Large media and heavy material rolls are handled quickly and easily.
- ▲ The simple hydraulic handle pump makes lifting effortless.
- ▲ Material damage is reduced or eliminated when moving rolls.
- ▲ ERL model is with electric lifting, high-efficiency for heavy load.;



Manual Type MRL model

Semi-Electric Type ERL model

Steel Roll Type



Model No.	MRL1086	MRL1150	ERL1086	ERL1150
Lifting Type	Manual		Electric	
Load capacity (kg/lbs)	1000/2200		1000/2200	
Lifting height (mm)	860	1500	860	1500
Max. roll width (mm)	1550	1550	1550	1550
Max. roll diameter (mm)	800	800	800	800
Roll tray width (mm)	700	700	700	700
Net weight (kg)	150	180	200	230



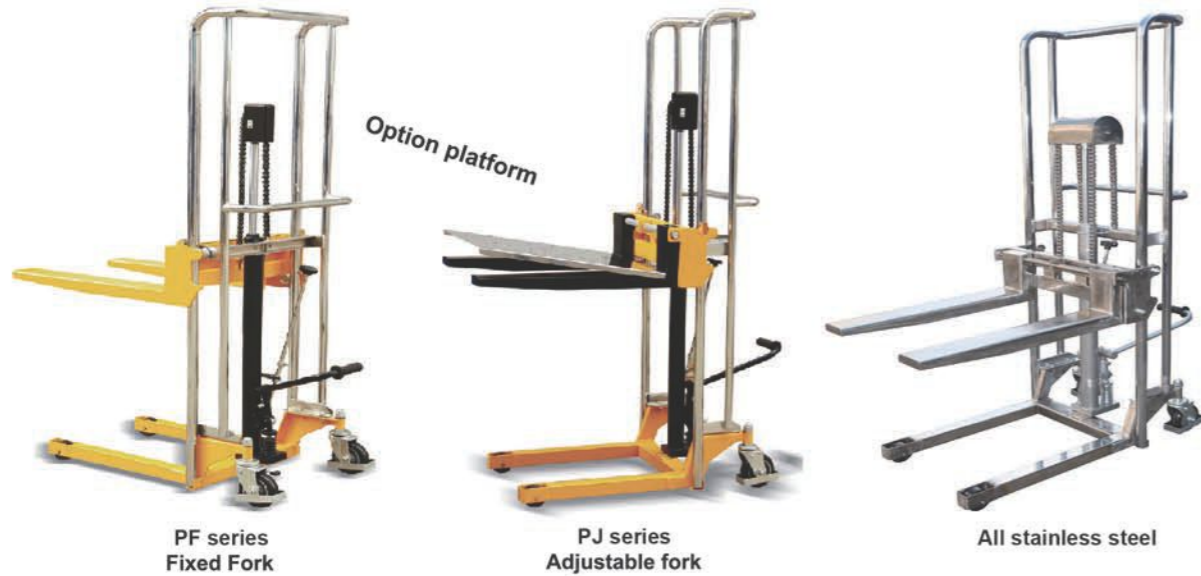
## Fork Stacker PS / PF / PJ / PJS series

**HOT!  
SALE**

- ▲ **Simple and Easy Operation.**  
Lifting movement via collapsible foot pedal.  
Sensitive lowering through sinking valve.  
Overload protection via pressure valve.
- ▲ **Safe Operation and secure Working Conditions.**  
Stable chassis with 2 frame rollers and 2 steering rollers.
- ▲ **Long Service Life.**  
Robust construction.  
Hard chromium plated frame.  
Hardened chromium plated ram.
- ▲ **Effortless Movement.**  
Ball bearing rollers.  
Polyurethane rollers.
- ▲ **Non-marking castor as standard.**
- ▲ **Conforms to EN 1757-1:2001.**



PS series fixed platform



PF series  
Fixed Fork

Option platform

PJ series  
Adjustable fork

All stainless steel

Model No./ (Fixed platform)	PS2085	PS2120	PS4085	PS4120	PS4150	PS4170	
Model No./ (Fixed Fork)	PF2085	PF2120	PF4085	PF4120	PF4150	PF4170	
Model No./ (Adjustable Fork)	PJ2085	PJ2120	PJ4085	PJ4120	PJ4150	PJ4170	
Model No./ (Stainless steel)	PJS2085	PJS2120	PJS4085	PJS4120	PJS4150	PJS4170	
Capacity (kg)	200		400				
Max. Fork Height (mm)	850	1200	850	1200	1500	1700	
Min. Fork Height (mm)	85		85				
Fork Length (mm)	600		650				
Fixed Fork Width (PF series) (mm)	500		550				
Adjustable Fork Width (PJ series) (mm)	215-500		235-500				
Load Roller (mm)	Φ75		Φ75				
Steering Wheel (mm)	Φ125		Φ125				
Pump Strokes to Max. Height	19	26	35	50	63	88	
Overall Height (mm)	1080	1435	1060	1410	1710	1910	
Overall Width (mm)	560		590				
Overall Length (mm)	1000	960	1040				
Net Weight	PF series (kg)	55	62	70	76	82	95
	PJ series (kg)	58	65	75	81	85	98
Option Platform	LP10		LP20				

## Semi-Electric Platform Stacker EP series

- ▲ Easier and faster lifting operation.
- ▲ High quality hydraulic motor.
- ▲ Service free battery.
- ▲ **Non-marking castor as standard.**
- ▲ **Conforms to 1757-1: 2001.**



Noise-free Castor  
as option.



EP4120A

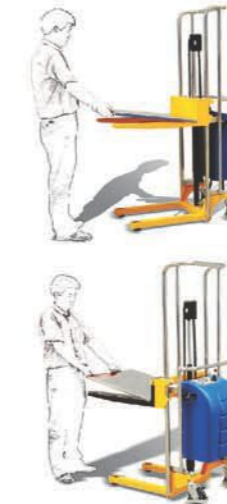
Model	EP2120A	EP4120A	EP4150A
Capacity (kg)	200	400	400
Max. Platform Height (mm)	1320	1320	1500
Min. Platform Height (mm)	200	200	200
Platform Length (mm)	600	650	650
Platform Width (mm)	500	550	550
Total Length (mm)	990	1070	1070
Total Width (mm)	560	590	590
Total Height (mm)	1430	1430	1610
Load Roller (mm)	Φ125	Φ150	Φ150
Steering Wheel (mm)	Φ125	Φ150	Φ150
Power Unit (KW)	0.8	0.8	0.8
Battery (Ah/V)	60/12	70/12	70/12
Net Weight (kg)	93	113	118

## Semi-Electric Fork Stacker EF / EJ series

- ▲ Low profile forks can lift the pallet easily.
- ▲ Easier and faster lifting operation.
- ▲ High quality hydraulic motor made in Italy.
- ▲ Service free battery.
- ▲ Option platform available.
- ▲ **Non-marking castor as standard.**
- ▲ **Conforms to 1757-1: 2001.**



Noise-free Castor  
as option.



EF4120A



All stainless steel

Model (Fixed Fork)	EF2120A	EF4120A	EF4150A	EF4170A	
Model (Adjustable Fork)	EJ2120A	EJ4120A	EJ4150A	EJ4170A	
Capacity (kg)	200	400	400	400	
Max. Fork Height (mm)	1200	1200	1500	1700	
Min. Fork Height (mm)	80	80	80	80	
Fork Length (mm)	600	650	650	650	
Fixed Fork Width (EF series) (mm)	500	550	550	550	
Adjustable Fork Width (EJ series) (mm)	215-500	235-500	235-500	235-500	
Single Fork Width (mm)	100	110	110	110	
Dia of Front Wheel (mm)	Φ75	Φ75	Φ75	Φ75	
Dia of Steering Wheel (mm)	Φ125	Φ125	Φ125	Φ125	
Chassis height (mm)	32.5	22.5	22.5	22.5	
Power Pack Motor (KW)	0.8	0.8	0.8	0.8	
Battery (Ah/V)	60/12	70/12	70/12	70/12	
Overall Height (mm)	1435	1410	1710	1910	
Overall Width (mm)	560	590	590	590	
Overall Length (mm)	1020	1100	1100	1100	
Net Weight	EF series (kg)	97	116	122	132
	EJ series (kg)	100	121	127	138
Option Platform	LP10F (For Fixed Fork) / LP10J (For Adjustable Fork) Size: 610x530		LP20F (For Fixed Fork) / LP20J (For Adjustable Fork) Size: 660x580		



EJ series



## Work Positioner YE series

- ▲ Ideal for use in narrow aisles and confined spaces.
- ▲ Perfect for all applications from pharmaceutical to catering, from packing line to food processing, from warehouse to office, kitchens, laboratories, retail outlets etc.
- ▲ Maintenance free and sealed batteries, automatic charger.
- ▲ Conforms to EN1757-A and EN1175-1.

**HOT!  
SALE**



Model No.		YE100	YE150	YE200
Load Capacity	Q(kg)	100	150	200
Front Roller Size	(mm)		75*2	
Rear Wheel Size	(mm)		100*32	
Lowered mast height	h1(mm)	2150	1950	1950
Lifting height	h3(mm)	1700	1500	1500
Lowered height	h13(mm)	130	130	130
Overall length	l1(mm)	860	860	860
Overall Width	b1(mm)	605	605	605
Battery	(V/Ah)	2x12/10Ah	2x12/10Ah	2x12/10Ah
Charger	(V/A)	DC 24/2	DC 24/2	DC 24/2
Platform Size	(mm)	PVC 605x475	PVC 605x475	PVC 605x475
Lifting/Lowering speed, laden/unladen	(mm/s)		55/55	
Net Weight	(Kg)	58	65	75

## Counter-balanced Fork Stackers EZ series

- ▲ Easier and faster lifting operation.
- ▲ High quality hydraulic motor.
- ▲ Service free battery.
- ▲ **Non-marking castor as standard.**
- ▲ **Conforms to 1757-1: 2001.**



Model No.		EZ2585	EZ2512	EZ2515
Max. Capacity	kg	200~250	150~250	150~250
Max. Lifting Height	(mm)	750	1100	1400
Min. Lifting Height	(mm)	60	60	60
Fork Size	(mm)	60x100x50	60x100x50	60x100x50
Rear wheel	D(mm)	Φ125x50	Φ125x50	Φ125x50
Front wheel	D(mm)	Φ125x50	Φ125x50	Φ125x50
Power Pack	V/W	DC12V/800W		
Battery	V/Ah	DC12V/60Ah		
Overall Height	H(mm)	1090	1440	1740
Length	L(mm)	1350-1400	1350-1400	1350-1400
Width	W(mm)	720	720	720
Net Weight	kg	218	225	230

## Semi-Electric Fork Stacker EF series

- ▲ Easier and faster lifting operation.
- ▲ High quality hydraulic motor.
- ▲ Service free battery.
- ▲ **Non-marking castor as standard.**
- ▲ **Conforms to 1757-1: 2001.**



\* EF model with adjustable fork  
\* EFP model with fixed fork & platform

Model No.		EF0412	EF0415	EFP0412	EFP0415
Load Capacity	(kg)	400	400	400	400
Max. Height	(mm)	1425	1725	1330	1630
Lifting Height	(mm)	1115	1415	1000	1300
Min. Platform Height	(mm)	85	85	200	200
Max. Platform Height	(mm)	1200	1500	1200	1500
Max. Width	(mm)	600	600	590	590
Platform Length	(mm)	650	650	650	650
Platform Width	(mm)	576	576	550	550
Rear Roller	(mm)	Φ127x40	Φ117x40	Φ150x40	Φ150x40
Load Roller	(mm)	Φ75x40	Φ75x40	Φ150x45	Φ150x45
Lifting/w ithout Load	(mm/sec)	185	185	185	185
speed/w ith Load	(mm/sec)	80	80	80	80
lowering/w ithout load	(mm/sec)	0~75	0~75	0~75	0~75
speed/w ith Load	(mm/sec)	0~115	0~115	0~115	0~115
Battery		DC12V.60AH	DC12V.60AH	DC12V.60AH	DC12V.60AH
Motor		DC12V,700W	DC12V,700W	DC12V,700W	DC12V,700W

## Self-Lifting Stacker SEL series

- ▲ Easier and faster lifting operation.
- ▲ High quality hydraulic motor.
- ▲ Service free battery.

**HOT!  
SALE**



Model No.		SEL0511	SEL0513
Load Capacity	(kg)	500	500
Max. Lifting Height	(mm)	1100	1300
Max. Mast Height	(mm)	1400	1600
Fork Length	(mm)	1150	1150
Fork Width	(mm)	535	535
Min. Mast Height	(mm)	1230	1430
Lifting Motor	(V/W)	DC12/800	DC12/800
Charger	(V/Ah)	12/33	12/33
Overall Dimension	(mm)	1600X790X1400	1600X790X1600
Net Weight	(kg)	200	220





## Winch Stacker WS series

- ▲ Compact and service free design.
- ▲ Unique design of winch for easier and safer lifting.
- ▲ Heavy duty "C" section mast.
- ▲ Adjustable fork width from 160mm to 690mm (WS25, WS50).
- ▲ Two parking brakes on steering wheels.
- ▲ **Conforms to EN1757-1:2001.**


**WS100**

**WS50**

**Type A  
Adjustable Fork  
Standard**

Model No.	WS25	WS50	WS100
Capacity (kg)	250	500	1000
Load Centre (mm)	400	500	575
Max. Fork Height (mm)	1560	1560	1500
Lowered Fork Height (mm)	90	90	88
Fork Adjustable Width (mm)	150-690	160-690	540 Fixed
Fork Length (mm)	800	1000	1150
Fork Width (mm)	60	70	160
Effort Force to Rated Load (N)	100	120	100
Lifting Height per Stroke (mm)	40	22	9.5
Ground Clearance (mm)	18	18	24
Min. Turning Radius (outside) (mm)	1075	1075	1250
Front Load Roller (mm)	Ø80x47	Ø80x47	Ø80x94
Steering Wheel (mm)	Ø150x40	Ø150x40	Ø150x50
Overall Size (LxWxH) (mm)	1325x725x2030	1325x725x2030	1600x725x1930
Net Weight (kg)	140	146	182

## Single Mast Stacker SU series

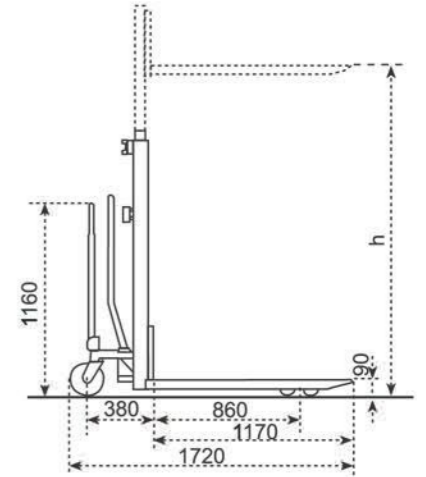
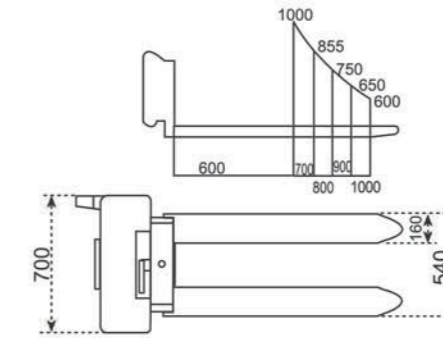
- ▲ Designed for heavy-duty, intensive and commercial use;
- ▲ Ergonomically designed handle for simple and comfortable operation;
- ▲ Single mast without view-obstructing components;
- ▲ Easy to operate with quick-lift function;
- ▲ Forced synchronous steering on two steering wheels;
- ▲ Quick lifting type is available.
- ▲ **Conforms to EN1757-1.**

Model No.	SU1017
Capacity (kg)	1000
Max. Fork Height (mm)	1700
Min. Fork Height (mm)	88
Fork Length (mm)	1150
Fork Width (mm)	540
Net Weight (kg)	245
Wheel Type	polyurethane
Override (mm)	1615x685x2130



## Side Operation Stacker KS series

- ▲ Lifted by towbar and lowered by manual control.
- ▲ Double action hand pump provides quicker lifting.
- ▲ Mechanical switch for unloaded and loaded lift.
- ▲ Chain drive steering system offers maximal maneuverability with 180° turning angle.
- ▲ **Conforms to EN1757-1.**


**KS1015**

Model	KS1015	KS1027
Capacity (kg)	1000	2750
Lifting Height h (mm)	1500	2750
Lifting per Stroke (mm)	30	90
Min. Fork Height (mm)	90	90
Fork Length (mm)	1150	1150
Fork overall Width (mm)	540	540
Load Wheel (mm)	Φ78x80 nylon	Φ78x80 nylon
Steering Wheel (mm)	Φ150x55 nylon	Φ150x55 nylon
Overall Size LxWxH (mm)	1600x700x1950	1600x700x1700
Net Weight (kg)	240	270

## Lateral Pallet Tilter LT / ELT series

- ▲ Designed to allow the user to ergonomically reach loads easily without having to bend down or over-stretch.
- ▲ Forks can be tilted up to 20° both left and right sides by thread.
- ▲ Supplied as standard with parking brake and foot protectors.
- ▲ **Conforms to EN1757-1.**

**HOT!  
SALE**



Model No.	LT0892	ELT0892
Type	Manual	Semi-electric
Capacity (kg)	800	800
Max. Fork Height (mm)	920	920
Min. Fork Height (mm)	88	88
Fork Length (mm)	1150	1150
Fork Width (mm)	150	150
Width Over Forks (mm)	540	540
Tilttable degree	Left or right 20°	
Net Weight (kg)	210	270





## Hand Stacker PA series

- ▲ Latest technology in hydraulic pump requiring less operating force. Top quality German seal kit.
- ▲ Heavy duty 1 piece "C" section mast for greatest strength.
- ▲ Optional adjustable forks for wider applications.
- ▲ Economic and reliable.
- ▲ **Conforms to EN1757-1.**

**HOT!  
SALE**



Model No.	PA0516	PA1016	PA1020	PA1025	PA1030	PA1033
Load Capacity (kg)	500	1000	1000	1000	1000	1000
Lowered Fork Height (mm)	90	90	90	90	90	90
Max.Lifting Height (mm)	1600	1600	2000	2500	3000	3300
Fork Length (mm)	1150	1150	1150	1150	1150	1150
Overall Fork Width (mm)	560 or adjustable 320~850					
Load Center (mm)	600	600	600	600	600	600
Turning Radius (mm)	1540	1590	1590	1590	1590	1590
Overall Length (mm)	1650	1650	1650	1650	1650	1650
Overall Width (mm)	690/850	730/850	730/850	730/850	730/850	730/850
Overall Height (mm)	1970	2010	1700	1770	2020	2170
Front Wheel Diameter (mm)	80	80	80	80	80	80
Rear Wheel Diameter (mm)	180	180	180	180	180	180
Net Weight (kg)	154	190	258	278	297	325

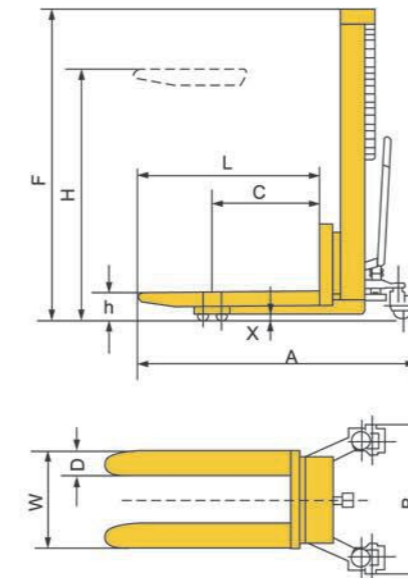
Model No.	PA1516	PA1520	PA1525	PA1530	PA1533	PA2016
Load Capacity (kg)	1500	1500	1500	1500	1500	2000
Lowered Fork Height (mm)	90	90	90	90	90	90
Max.Lifting Height (mm)	1600	1600	2500	3000	3300	1600
Fork Length (mm)	1150	1150	1150	1150	1150	1150
Overall Fork Width (mm)	560 or adjustable 320~850					
Load Center (mm)	600	600	600	600	600	600
Turning Radius (mm)	1590	1590	1590	1590	1590	1590
Overall Length (mm)	1650	1650	1650	1650	1650	1650
Overall Width (mm)	730/850	730/850	730/850	730/850	730/850	730/850
Overall Height (mm)	2060	1700	1770	2020	2170	2020
Front Wheel Diameter (mm)	80	80	80	80	80	80
Rear Wheel Diameter (mm)	180	180	180	180	180	180
Net Weight (kg)	202	260	285	305	350	255

## Hand Stacker PZ series

- ▲ Latest technology of hydraulic pump with less effort. Top quality German seal kit.
- ▲ Heavy duty forks for greatest strength.
- ▲ Optional adjustable forks for wider applications.
- ▲ Economic and reliable.
- ▲ **Conforms to EN1757-1.**



**Footpedal Lifting  
as option**



**PZ1015**

Model No.	PZ1015	PZ1515	PZ2015
Capacity (kg)	1000	1500	2000
Load Centre C (mm)		500	
Max. Fork Height H (mm)		1500	
Min. Fork Height h (mm)	80	85	85
Fork Length L (mm)		1150	
Fork Width D (mm)	100	120	120
Overall Fork Width W (mm)	224-730	252-900	252-900
Lifting Height Per Stroke (mm)	12.5	9	7
Ground Clearance X (mm)	23	24	24
Min. turning Radius (outside) (mm)	1250	1350	1350
Front Load Roller (mm)	Φ80×43	Φ80×70	Φ80×70
Steering Wheel (mm)		Φ180×50	
Overall Length A (mm)	1660	1715	1765
Overall Width B (mm)	700	940	940
Overall Height F (mm)	1998	1980	1980
Net Weight (kg)	180	252	284

Note: Materials and specification are subject to change without notice.



## Semi-Electric Stacker MS series

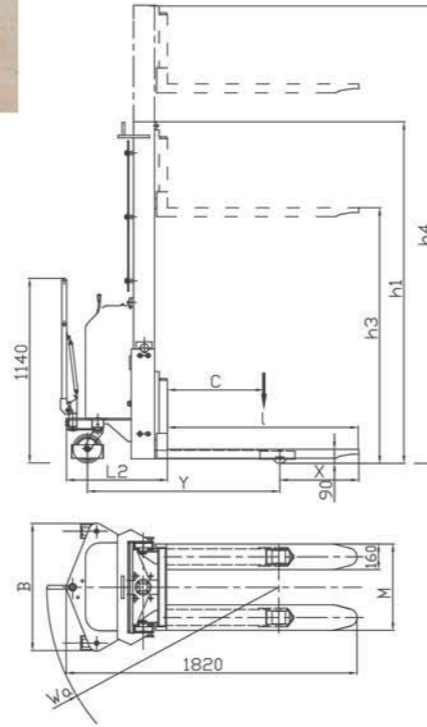
- ▲ Heavy duty design and top quality mast construction.
- ▲ Safety guard on load roller and steering wheel.
- ▲ Light and easy manual steering system.
- ▲ Conforms to EN1757-1: 2001, EN1727.



Top quality power unit.



Heavy-Duty model



Model No.	MS1016	MS1025	MS1029	MS1031	MS1033	MS1516	MS1525	MS1529	MS1531	MS1533
Capacity (kg)			1000					1500		
Max.Fork Height h3 (mm)	1600	2450	2900	3100	3300	1600	2450	2900	3100	3300
Min.Fork Height (mm)					90					
Load Center C (mm)			600					400		
Wheels Base Y (mm)					1132					
Load Distance X (mm)					450					
Truck Length incl. Fork Face L2 (mm)					670					
Lifting Speed (with/without load) (mm/s)					64/94					
Lowering Speed (with/without load) (mm/s)					106/74					
Fork Length l (mm)					1150					
Fork Overall Width M (mm)					540					
Single Fork Width (mm)					160					
Front Wheel (mm)			Φ82x80				Φ82x70			
Rear Wheel (mm)					Φ180x50					
Turning Radius Wa (mm)					1500					
Power Pack (KW/V)			1.5/12					1.6/12		
Battery (Ah/V)			120/12					180x2/12		
Charger (A/V)					15/12					
Overall Length L (mm)					1820					
Overall Width B (mm)		800		1000		800			1000	
Overall Height h1 (mm)	2090	1800	2025	2125	2225	2125	1800	2025	2125	2225
Net weight (with battery) (kg)	420	460	490	530	550	480	540	580	595	610

## Semi-Electric Stacker MW series

With DC or AC technology

- ▲ Heavy duty design with top quality mast construction.
- ▲ Straddle leg design suitable for two faces or low pallet.
- ▲ Powerful power pack with European technology.
- ▲ Drive unit with electromagnetic brake.
- ▲ Top quality electronic control system from Curtis.
- ▲ Conforms to EN1757-1, EN 1726.

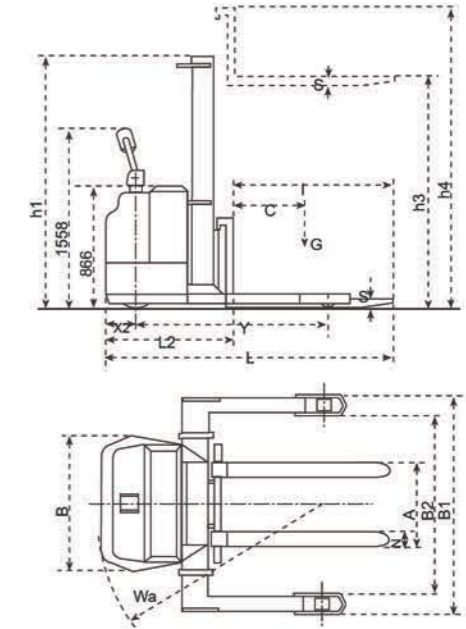
Option



Ergonomic Tiller  
Made in Germany



Adjustable Fork  
Adjustable Straddle Legs

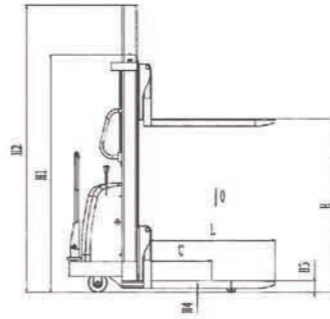
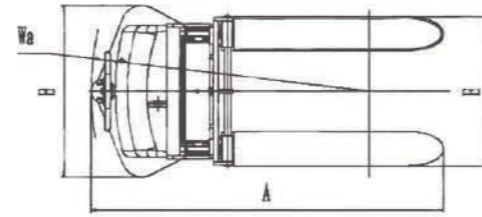


Model No.	MW1516	MW1525	MW1530	MW1533	MW2016
Load Capacity (kg)	1500	1500	1500	1500	2000
Lifting Height h3 (mm)	1600	2500	3000	3300	1600
Min. Fork Height h (mm)			65		
Load Centre C (mm)			500		
Fork Length l (mm)			1000		
Motors Traveling (KW/V)			1.2/24		
Motors Traveling (AC) (KW/V)			1.2/24 (AC)		
Motors Lifting (KW/V)			2.2/24		
Service Free Battery			200Ah/24V		
Battery Charger			20A/24V		
Traction Battery (option)			240Ah/24V		
Front Roller (mm)			Polyurethane, Tandem Φ78x70mm		
Rear Roller (mm)			Polyurethane, Φ150x75mm		
Drive Wheel (mm)			Polyurethane, Φ250x80mm		
Net Weight (kg)	820	885	895	905	910
Dimension					
S (mm)			38		
X2 (mm)			200		
Y (mm)			1283		
L2 (mm)			792		
L (mm)			1792		
B1 (mm)			1197-1502		
B2 (mm)			965-1270		
A (mm)			230-790		
N (mm)			100		
h1 (mm)	2166	1876	2101	2201	2301
h3 (mm)	1600	2450	2900	3100	3300
h4 (mm)	2460	3310	3760	3960	4160
B (mm)			940		
Wa (mm)		1533			1548



## Semi-Electric Stacker DYC series

- ▲ Heavy duty design and top quality mast construction.
- ▲ Easier and faster lifting operation.
- ▲ High quality hydraulic motor.
- ▲ Service free battery.
- ▲ Option Forging Fork.
- ▲ Conforms to 2006/42/EC.



**HOT!**  
**SALE**



Economic model

Model No.	DYC1016	DYC1025	DYC1030	DYC1033	DYC1516	DYC1525	DYC1530	DYC1533	DYC2016	DYC2020	
Capacity (kg)	1000				1500				2000		
Max.Fork Height h3 (mm)	1600	2500	3000	3300	1600	2500	3000	3300	1600	2000	
Min.Fork Height (mm)					90						
Load Center C (mm)					600						
Wheels Base Y (mm)					1132						
Load Distance X (mm)					450						
Truck Length incl. Fork Face L2 (mm)					670						
Lifting Speed (with/without load) (mm/s)					64/94						
Lowering Speed (with/without load) (mm/s)					106/74						
Fork Length l (mm)					1150						
Fork Overall Width M (mm)					540						
Single Fork Width (mm)					160						
Front Wheel (mm)					Φ82×80						
Rear Wheel (mm)								Φ180×50			
Turning Radius Wa (mm)					1500						
Power Pack (KW/V)					1.5/12			1.6/12			
Battery (Ah/V)					120/12			180×2/12			
Charger (A/V)								15/12			
Overall Length L (mm)					1820						
Overall Width B (mm)	800				800				800		
Overall Height h1 (mm)	2090	1800	2025	2125	2090	1800	2025	2125	2090	1800	
Net weight (with battery) (kg)	350	425	470	500	370	475	495	520	390	425	

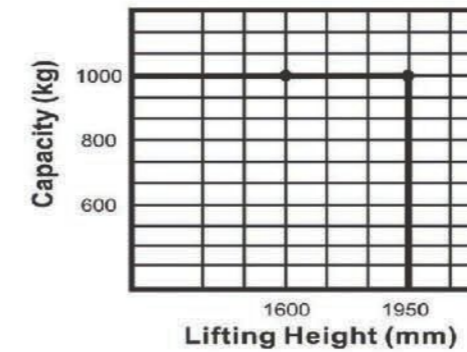
## Electric Mono Stacker CEB series

### Performance:

- ▲ Robust Structure.
- ▲ Compact chassis design offers smallest turning radius needed.
- ▲ Highly specialized drive and hydraulic system ensure excellent driving performance and high reliability.
- ▲ Low-noise and durable hydraulic unit, high quality cylinder as well as hose ensure high reliability of hydraulic system.
- ▲ Automatic lifting limit, motor and battery with long service life.
- ▲ Side operating ensure excellent visibility.
- ▲ Ergonomic tiller head for effortless and comfortable operations.
- ▲ Built-in charger is standard.
- ▲ Maintenance free battery.

### Safety:

- ▲ Stepless speed control system provide safety and quiet.
- ▲ Controller with multiple automatic protections.
- ▲ Emergency reversing device and emergency brake switch are standard.
- ▲ Low-voltage cut-off protection.



Standard Type



Adjustable Fork

Adjustable Straddle legs

Model No.	CEB1016	CEB1019
Operator Type	Pedestrian	
Load Capacity (kg)	1000	
Load Center (mm)	600	
Wheel Base (mm)	1052	
Min. Fork Height (mm)	90	
Lifting Height (mm)	1600	1950
Mast Lowered Height (mm)	1985	2240
Mast lifting Height (mm)	2065	2335
Overall Length (mm)	1634	
Overall Width (mm)	790	
Single Fork Size (mm)	1150/1220×185×55	
Fork Width (mm)	550/600/650/685	
Aisle width for pallet 1000×1200mm (mm)	1883	
Aisle width for pallet 800×1200mm (mm)	1841	
Min. Turning Radius (mm)	1262	
Travelling Speed laden/unladen (km/h)	3/3.5	
Lifting Speed, laden/unladen (mm/s)	130/230	
Lowering Speed, laden/unladen (mm/s)	130/230	
Max. gradeability, laden/unladen (%)	5/7	
Driving Motor (kw)	0.65	
Lifting Motor (kw)	2.0	
Battery (V/Ah)	24/70	
Control System	Curtis	
Brake Type	Electromagnetic Brake	
Net Weight(with battery) (kg)	460	



## Full Electric Stacker ESA series

- ▲ More efficiency electric driving and lifting unit, make your transportation and stacking much easier.
- ▲ More safety regenerated electromagnetic brake support anytime you need on a stop.
- ▲ More comfortable, no need push or pull, smart electric driving unit assist operator greatly, especially when turning around.
- ▲ Qualified stronger frame design. excellent driving motor and gearbox with curtis controller, ensure longer life span.
- ▲ Conforms to EN1757-1:2001, EN 1726.



Model No.	ESA10	ESA15
Operation Type	Full Electric Walkie	
Electric Power Steering (EPS)	Without	
Load Capacity (kg)	1000	1500
Min. Fork Height (mm)	90	
Max. Lifting Height (mm)	1600/2500/3000/3300	
Fork Length/w idth (mm)	1150*160	
Fork Width (mm)	540/680	
Load Center (mm)	600	
Front Wheel (mm)	PU/78	
Driving Wheel (mm)	PU/210	
Balance Wheel (mm)	PU/180	
Mast Closed Height (mm)	2015/1785/2035/2185	
Mast Extend Height (mm)	2015/3000/3500/3800	
Overall Length (mm)	1720	
Overall Width (mm)	800	
Min. Turning radius	1390	
Aisle Width 800*1200mm pallet (mm)	2185	
Aisle Width 1000*1200mm pallet (mm)	2256	
Travel Speed (Laden/Unladen) (km/h)	3.5/4.0	
Lifting Speed (Laden/Unladen) (mm/s)	95/134	
Lowering Speed (Laden/Unladen) (mm/s)	95/135	
Gradeability (Laden/Unladen) (%)	5/7	
Driving Motor (kw)	0.65	
Lifting Motor (kw)	1.5	
Battery (v/Ah)	12V/75Ah *2; (260x172x214)*2	
Brake	Electromagnetic	
Control System	Curtis	
Service Weight without battery (kg)	325/375/395/425	345/395/415/445
Service Weight with battery (kg)	355/405/425/455	375/425/445/475

## Full Electric Stacker ESB series

- ▲ More efficiency electric driving and lifting unit, make your transportation and stacking much easier.
- ▲ More safety regenerated electromagnetic brake support anytime you need on a stop.
- ▲ More comfortable, no need push or pull, smart electric driving unit assist operator greatly, especially when turning around.
- ▲ Qualified stronger frame design. excellent driving motor and gearbox with curtis controller, ensure longer life span.
- ▲ Conforms to EN1757-1:2001, EN 1726.



Model No.	ESB10	ESB15
Operation Type	Full Electric Walkie	
Electric Power Steering (EPS)	Without	
Load Capacity (kg)	1000	1500
Lifting Height (mm)	1600/2500/3000/3300/3500	
Fork Length/w idth (mm)	1150*160	
Fork Width (mm)	520/540/560/650/680	
Load Center (mm)	600	
Front Wheel (mm)	PU/78	
Driving Wheel (mm)	PU/210	
Mast Closed Height (mm)	2065/1785/1985/2135/2235	
Mast Extend Height (mm)	2065/2950/3450/3750/3950	
Overall Length (mm)	1775	
Overall Width (mm)	820	
Min. Turning Radius	1460	
Aisle Width 800*1200mm pallet (mm)	2540	
Aisle Width 1000*1200mm pallet (mm)	2600	
Travel Speed (Laden/Unladen) (km/h)	2.5/3.0	
Lifting Speed (Laden/Unladen) (mm/s)	100/112	75/90
Lowering Speed (Laden/Unladen) (mm/s)	92/85	85/75
Gradeability (Laden/Unladen) (%)	5/7	
Driving Motor (kw)	0.65	
Lifting Motor (kw)	1.5	2.2
Battery (v/Ah)	Gel Battery 12V/75Ah*2	
Brake	Electromagnetic	
Control System	Curtis	
Service Weight without battery (kg)	470/520/540/570/580	
Service Weight with battery (kg)	520/570/590/620/630	



## Full Electric Stacker ESC series

- ▲ More efficiency electric driving and lifting unit, make your transportation and stacking much easier.
- ▲ More safety regenerated electromagnetic brake support anytime you need on a slope.
- ▲ More comfortable, no need push or pull, smart electric driving unit assist operator greatly, especially when turning around.
- ▲ Qualified stronger frame design, excellent driving motor and gearbox with curtis controller, ensure longer life span.
- ▲ **Conforms to EN1757-1:2001, EN 1726.**



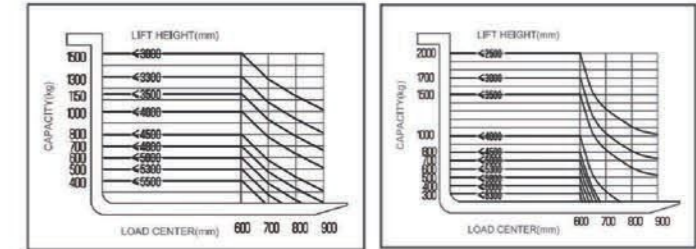
Adjustable Fork

Straddle Legs

Model No.		ESC10	ESC15
Load Capacity	(kg)	1000	1500
Min. Fork Height	(mm)	70	70
Max. Lifting Height	(mm)	1600/2500/3000/3300/3500	
Fork Length/width	(mm)	1070*100	
Adjustable Fork Width	(mm)	200-800	
Inner Legs width		970/1110/1250	
Load Center	(mm)	500	
Front Wheel	(mm)	PU/100	
Driving Wheel	(mm)	PU/210	
Mast Closed Height	(mm)	2065/1785/1985/2135/2235	
Mast Extend Height		2065/2950/3450/3750/3950	
Overall Length	(mm)	1775	
Overall Width	(mm)	820	
Min. Turning radius		1430	
Aisle Width 800*1200mm pallet	(mm)	2540	
Aisle Width 1000*1200mm pallet	(mm)	2600	
Travel Speed (Laden/Unladen)	(km/h)	2.5/3.0	
Lifting Speed (Laden/Unladen)	(mm/s)	100/112	75/90
Lowering Speed (Laden/Unladen)	(mm/s)	92.85	85/75
Gradeability (Laden/Unladen)	%	5/7	
Driving Motor	(kw)	0.65	
Lifting Motor	(kw)	2.2	
Battery	(v/Ah)	Gel Battery 12V/75Ah *2	
Brake		Electromagnetic	
Control System		Curtis	
Service Weight without battery	(kg)	530/560/580/600/620	
Service Weight with battery	(kg)	580/610/630/650/670	

## Full Electric Stacker ESD series

- ▲ Heavy duty design with top quality mast construction.
- ▲ Powerful drive wheel and power unit made in Europe.
- ▲ Top quality electronic control system from Curtis.
- ▲ **Conforms to EN1757-1:2001, EN 1726.**



AC  
EPS

HOT!  
SALE

Standard Type

Straddle Legs &amp; Adjustable Fork

All Stainless Steel

Model No.		ESD10	ESD15	ESD20
Operation Type		Full Electric Walkie, Optional Armrest & platform		
Electric Power Steering (EPS)		Standard Equipped		
Load Capacity	(kg)	1000	1500	2000
Lifting Height	(mm)	1600/2500/3000/3500/4500/5000/5500		
Fork Length/w idth	(mm)	1150*160		
Fork Width	(mm)	540/560/580/680		
Load Center	(mm)	600		
Front Wheel	(mm)	PU/78		
Balance Wheel	(mm)	PU/125		
Driving Wheel	(mm)	PU/230		
Mast Closed Height	(mm)	2065/1785/1985/2135/2235		
Mast Extend Height		2065/2950/3450/3750/3950		
Overall Length	(mm)	2600 with platform		
Overall Width	(mm)	800	940	990
Min. Turning radius		2100(with platform)/ 1580(without platform)		
Aisle Width 800*1200mm pallet	(mm)	2530-2990 (with platform)		
Aisle Width 1000*1200mm pallet	(mm)	2600-3050 (with platform)		
Travel Speed (Laden/Unladen)	(km/h)	5/5.3		
Lifting Speed (Laden/Unladen)	(mm/s)	58/148		
Lowering Speed (Laden/Unladen)	(mm/s)	145/80		
Gradeability (Laden/Unladen)	%	5/7		
Driving Motor	(kw)	1.5		
Lifting Motor	(kw)	3		
Battery	(v/Ah)	standard 24V/210, optional 24V/270-340Ah		
Brake		Electromagnetic		
Control System		AC, Curtis		
Service Weight without battery	(kg)	850/870/890/920/1030/1045/1185		
Service Weight with battery	(kg)	1060/1080/1100/1180/1255/1395		

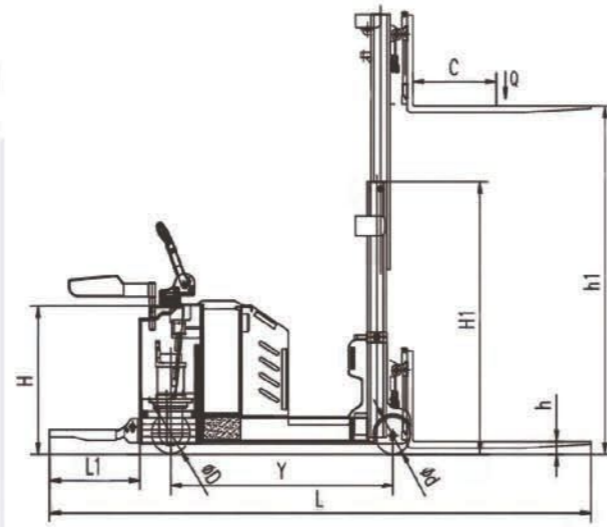


## Counter-Balanced Electric Stacker ESP series

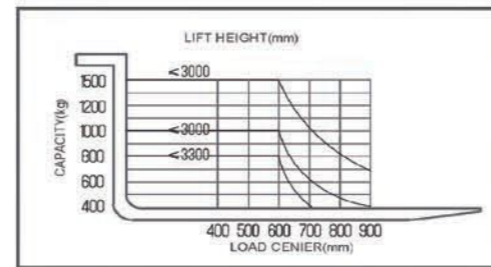
- ▲ Heavy duty design with top quality mast construction.
- ▲ Powerful drive wheel and power unit made in Europe.
- ▲ Top quality electronic control system from Curtis.
- ▲ Standard equipped with EPS (electric power-steering system)
- ▲ Conforms to EN1757-1:2001, EN 1726.

AC

EPS



LOAD CHART



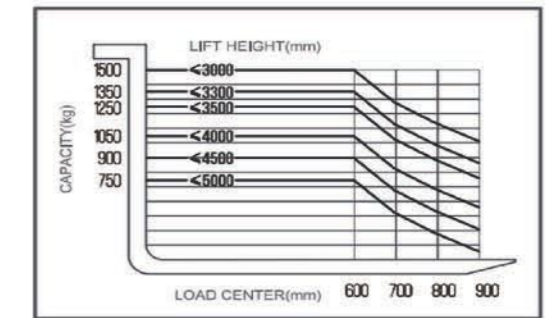
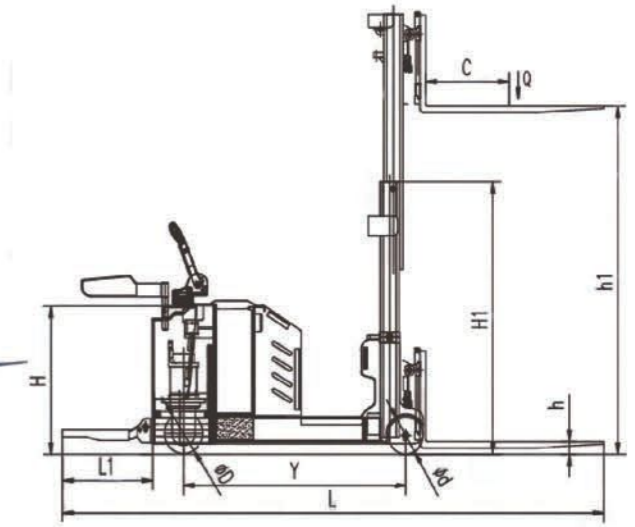
Model No.	ESP10	ESP15
Operation Type	Counter-Balanced, Electric	
Electric Power Steering (EPS)	Standard Equipped	
Load Capacity (kg)	1000	1500
Lifting Height (mm)	2000/2500/3000/3300/4500	
Fork Length/width (mm)	1070*100	
Fork Width (mm)	Adjustable 200-680	
Load Center (mm)	500	
Front Wheel (mm)	PU/210	
Driving Wheel (mm)	PU/230	
Mast Closed Height (mm)	1805/2055/2205/2045	
Mast Extend Height (mm)	3315/3815/4115/5310	
Overall Length (mm)	3100-3270	
Overall Width (mm)	850	
Fork Tilting Degree	2/5	
Aisle Width 800*1200mm pallet (mm)	3036	
Aisle Width 1000*1200mm pallet (mm)	3069	
Travel Speed (Laden/Unladen) (km/h)	5/5.3	
Lifting Speed (Laden/Unladen) (mm/s)	110/150	
Lowering Speed (Laden/Unladen) (mm/s)	145/80	
Gradeability (Laden/Unladen) (%)	5/7	
Driving Motor (kw)	2.2	
Lifting Motor (kw)	3	
Battery (v/Ah)	standard 24V/210(optional 270Ah)	
Brake	Electromagnetic	
Control System	Curtis	
Service Weight without battery (kg)	1470/1570/1630/1725/1825	
Service Weight with battery (kg)	1680/1780/1840/1935/2035	

## Electric Reach Stacker ESQ series

- ▲ Heavy duty design with top quality mast construction.
- ▲ Powerful drive wheel and power unit made in Europe.
- ▲ Top quality electronic control system from Curtis.
- ▲ Standard equipped with EPS (electric power-steering system)
- ▲ Conforms to EN1757-1:2001, EN 1726.

AC

EPS



Model No.	ESQ10	ESQ15
Operation Type	Reach Stacker, Electric	
Electric Power Steering (EPS)	Standard Equipped	
Load Capacity (kg)	1000	1500
Lifting Height (mm)	2500/3000/4500	
Fork Length/width (mm)	1070*100	
Fork Width (mm)	Adjustable 200-680	
Load Center (mm)	500	
Front Wheel (mm)	PU/210	
Driving Wheel (mm)	PU/230	
Mast Closed Height (mm)	1805/2040/2065	
Mast Extend Height (mm)	3315/3810/5310	
Overall Length (with platform) (mm)	3250-3350	
Overall Width (mm)	850	
Fork Tilting Degree	2/5	
Aisle Width 800*1200mm pallet (mm)	2822	
Aisle Width 1000*1200mm pallet (mm)	2870	
Travel Speed (Laden/Unladen) (km/h)	5/5.3	
Lifting Speed (Laden/Unladen) (mm/s)	110/150	
Lowering Speed (Laden/Unladen) (mm/s)	145/80	
Gradeability (Laden/Unladen) (%)	5/7	
Driving Motor (kw)	2.2	
Lifting Motor (kw)	3	
Battery (v/Ah)	standard 24V/210(optional 270Ah)	
Brake	Electromagnetic	
Control System	Curtis	
Service Weight without battery (kg)	1590/1726/1895	
Service Weight with battery (kg)	1800/1936/2105	



## Full Electric Stacker FK / BK series

- ▲ Heavy duty design with top quality mast construction.
- ▲ Powerful drive wheel and power unit made in Europe.
- ▲ Top quality electronic control system from Curtis.
- ▲ Conforms to EN1757-1:2001, EN 1726.

### Options



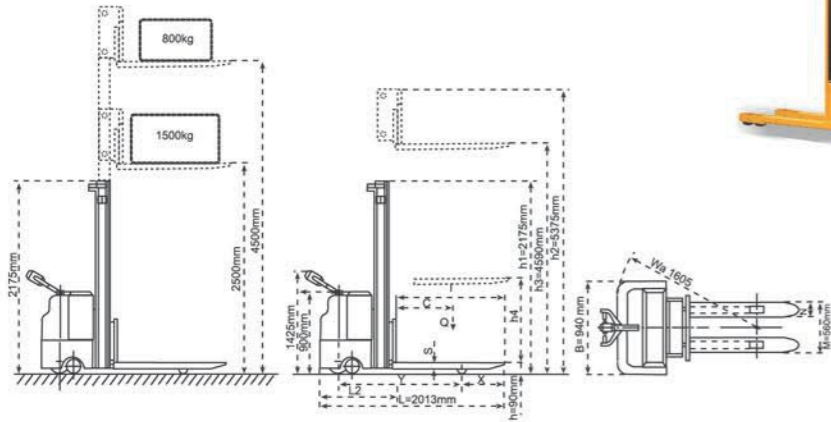
with Armrest & Platform



FK1545



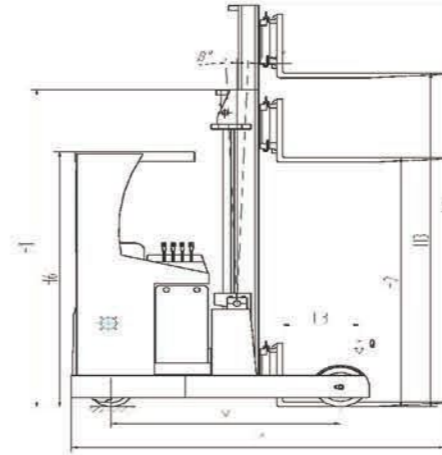
BKW1555 (straddle legs)



Model No.	FK1545/FK1550	BK1545/BK1550	BKW1555
Type	Walkie	Platform/Stand-on	Platform/Stand-on
Capacity (kg)	1500	1500	1500
Load Centre (mm)		600	
Max. Fork Height (mm)		4500/5000	5500
Lowered Fork Height (mm)		90	65
Full Free Lifting Height (mm)		1550	1717
Fork Length (mm)		1150	1000
Fork Overall Width (mm)		560	200-950
Fork Individual Width (mm)		160	100
Travelling Speed (with & without load) (km/h)		5.2/6.8	
Lifting Speed (with & without load) (mm/s)		127/170	
Lowering Speed (mm/s)		150/128	127/170
Motors Travelling (W)		1200	
Motors Lifting (W)		3000	
Front Rollers, Tandem (mm)		Φ78×70	
Rear Wheels (mm)		Φ150×50	
Driving Wheel (mm)		Φ250×80	
Traction Battery (Ah/V)		Lead-Acid 240/24	
Battery Charger (A/V)		30/24	
Weight of battery (kg)		230	
Overall Dimensions (mm)	2013x940x2175	2507x940x2175	2000x1200x2560
Net Weight (without battery) (kg)	1010	1035	1370

## Electric Reach Stacker RK series

- ▲ Heavy duty design with top quality mast construction.
- ▲ Powerful drive wheel and power unit made in Europe.
- ▲ Top quality electronic control system from Curtis.
- ▲ Conforms to EN1757-1:2001, EN 1726.



Model No.	RK10S	RK15S	RK10T	RK15T
Operation Type	Standing		Seated	
Load Capacity Q(kg)	1000	1500	1000	1500
Lifting Height H3(mm)	3000/5000/6200			
Load Center c(mm)	500	500	500	500
Driving Wheel (mm)	280x100		280x100	
Front Wheel (mm)	250x80		250x80	
Fork Tilting F/B	3/5		3/5	
Free Lifting Height H2(mm)	~1700/2100			
Mast Closed Height H1(mm)	2086/2240/2640			
Mast Extend Height H4(mm)	3800/5800/7000			
Height of Overhead Guard H6(mm)	2200		2200	
Stand Platform Height H7(mm)	295		295	
Height of Crura H8(mm)	270		270	
Overall Length L1(mm)	2360		2360	
Overall Length (w ithout fork) L2(mm)	1700		1800	
Overall Width b1(mm)	1020		1020	
Fork Dimension s/e/l(mm)	35/100/1070		35/100/1070	
Reach Distance k(mm)	600		600	
Aisle width pallet 800x1200mm Ast(mm)	2740		2800	
Aisle width pallet 1000x1200mm Ast(mm)	2850		2850	
Turning Radius W3(mm)	1700		1700	
Travel Speed (laden/unladen) (km/h)	7/7.2		7/7.2	
Lifting Speed (laden/unladen) (mm/s)	19/20		19/20	
Lowering Speed (laden/unladen) (mm/s)	50/40		50/40	
Battery (v/Ah)	48/400		48/400	
Battery Weight (kg)	550		550	
Battery Dimension (mm)	983x404x630		983x404x630	
Service Weight (kg)	2140/2540/2640		2340/2740/2840	