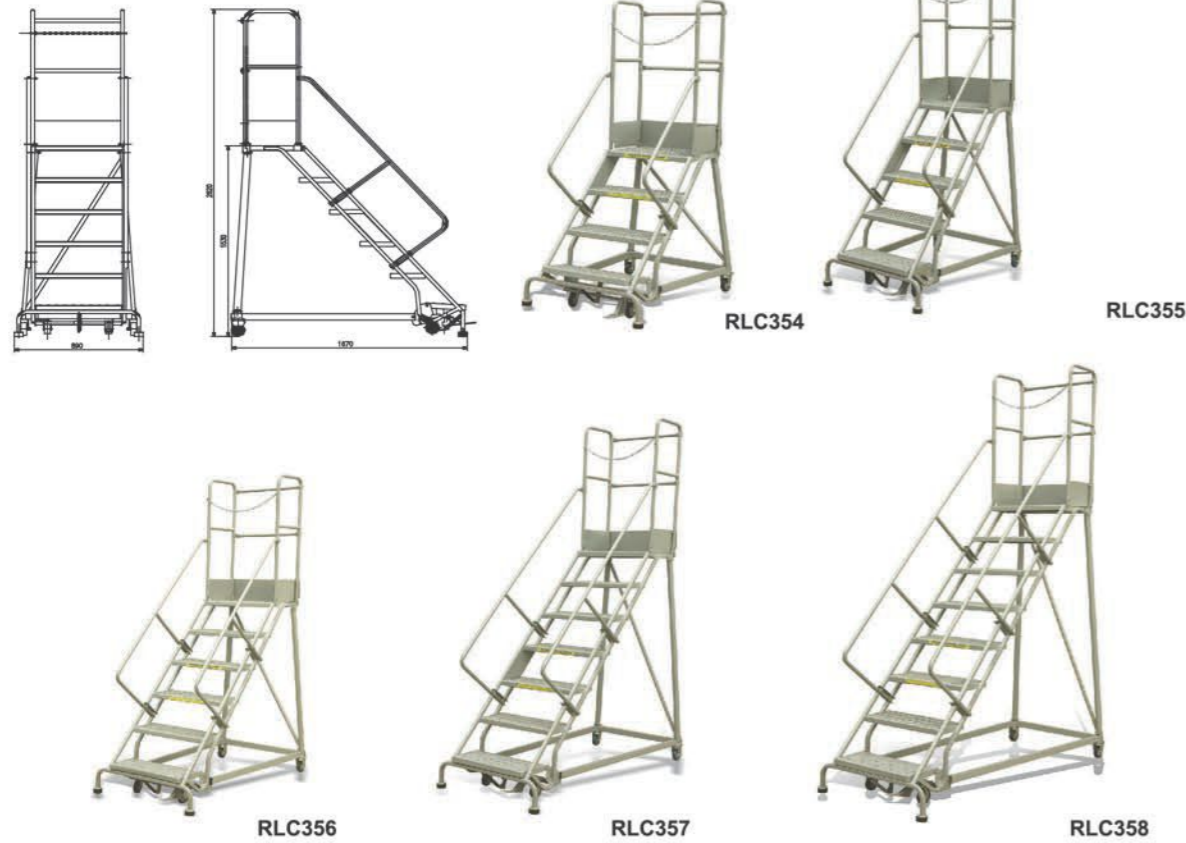


Industrial Steel Rolling Ladders RLC series

- ▲ Capacity 350lbs / 160 kg.
- ▲ Perfect for use in warehouse, stockroom and maintenance areas.
- ▲ Built to endure heavy everyday use.
- ▲ Increase productivity with speedy relocation.
- ▲ Two castors and two wheels for ease of movement on ladders with 4 steps and more.
- ▲ Non-slip steel steps.
- ▲ **Conforms to EN131.**



Model	RLC354	RLC355	RLC356	RLC357	RLC358
Capacity (kg)			160		
No. of the Step	4	5	6	7	8
Hight to Top Step (mm)	1020	1275	1530	1785	2040
Castor/Wheel Dia. X Width (mm)	PUΦ100X30				
Overall Size (mm)	1220X900X2110	1450X900X2370	1670X900X2620	1890X900X2880	2100X900X3130
Net Weight (kg)	65	75	85	95	105
Gross Weight (kg)	75	89	104	118	133

Model	RCL359	RCL3510	RCL3511	RCL3512
Capacity (kg)			160	
No. of the Step	9	10	11	12
Hight to Top Step (mm)	2300	2550	2800	3060
Castor/Wheel Dia. X Width (mm)	PUΦ100X30			
Net Weight (kg)	115	125	135	150
Gross Weight (kg)	148	160	172	195

Industrial Steel Rolling Ladders RL series

- ▲ Capacity 350lbs/160 kg.
- ▲ Perfect for use in warehouse, stockroom and maintenance areas.
- ▲ Built to endure heavy everyday use.
- ▲ Increase productivity with speedy relocation.
- ▲ Two castors and two wheels for easy movement.



Model	RL351	RL352	RL353	RL354	RL355	RL356	RL357	RL358
Capacity (kg)	160							
No. of the Step	1	2	3	4	5	6	7	8
Hight to Top Step (mm)	250	500	750	1000	1250	1500	1750	2000
Castor/Wheel Dia. X Width (mm)	PUΦ100X30							
Overall Size (mm)	330x660x720	610x660x1140	800x660x1370	1180x900x1800	1460x900x2060	1600x900x2320	1860x900x2600	2080x900x2820
Net Weight (kg)	7.5	14	19.5	50	60	66	75	84

Pallet Pullers PU series

The pallet pullers are used to pull loaded pallets, slide heavy crates, etc., to edge of dock or truck, so it can be picked up with forklift truck. Variable jaw width grabs pallet securely and automatically releases. Rugged steel construction. 2-3/4" high heads are self-cleaning and unaffected by wood particles, paint or grease.



Model	PU10	PU10R	PU20	PU20R	PU30	PU50
Max. pallet weight kg (lbs)	2268 (5000)				2040 (4500)	2268 (5000)
For stringers mm (inch)	UP to 76.2 (3)		UP to 139.7 (5-1/2)		UP to 88.9 (3-1/2)	UP to 101.6 (4)
Length mm (inch)	762 (30)		495.3 (19-1/2)		393.7 (15-1/2)	412.8 (16-1/4)
Net weight kg (lbs)	9.5 (21)		5.4 (12)		6.3 (14)	4.9 (11)

Cargo Bars and Hoops

Secures and helps keep load from shifting and falling in transit. Use between walls or floor and roof of van, truck, trailer or rail car. Push against load and expand to secure load. For the best results, use cargo bar in pairs. Cargo hoops are recommended for securing large areas, and attach easily to cargo bar.

A. One-Piece Aluminum Cargo Bar

Model: CB10

CB10 is constructed of light-weight extruded aluminum tubing that will not rust. Service range is 87 to 103". Articulating footpads are located at each end. Easy to operate locking handle secures bar into position.



Model CB10

B. Folding Steel Cargo Bar

Model: CB20

CB20 consists of 1-1/2" square 14-gauge tubing for substantial strength. Easy-to-operate mechanical ratchet will not slip or vibrate loose and works well in freezing and wet conditions. 4" square, rubber protected, articulating end pads keep bar in place. Adjusts from 87 to 115". Two-piece hinged bar can be folded and stored in trailer cab to minimize pilferage.



Model CB20

C. Two-Piece Galvanized Steel Telescoping Cargo Bar

Model: CB30

CB30 adjusts from 64 to 140". Made of 1-1/2" square 14-gauge tubing. Galvanized steel construction is ideal for refrigeration trucks. 4" square rubber pads are vulcanized to metal ends for a more secure fit and longer life. Articulating pads allow angled mounting.

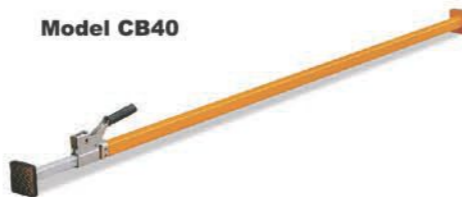


Model CB30

D. Steel Cargo Bar

Model: CB40

CB40 steel cargo bar helps keep your cargo in place without damaging walls. Adjusts from 85-3/4 to 110" and features a heavy duty locking ratchet with 3-3/4" square rubber foot pads. One piece unit is constructed of 1-1/2" steel tube for substantial strength.



Model CB40

E. Cargo Hoops

Model: CH10

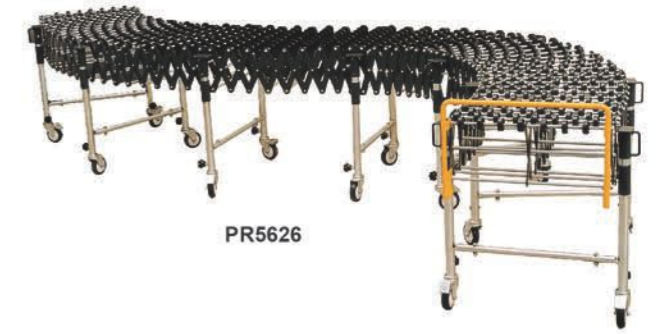
For use with CB20, CB30 and CB40. CH10 are constructed from galvanized steel and each measures 24" W x 36" L. Expand the retention area to secure a large area of smaller boxes or cartons. Installation hardware is included. Sold in pairs.



Model CH10

Flexible Conveyor PR / SR series

- ▲ Provide flexible mobile handling facilities.
- ▲ Move goods quickly, safely and efficiently, then close for storage.
- ▲ Versatile conveyor system that can be expanded to suit most locations.
- ▲ Height adjustable range: a. 700-900mm b. 800-1000mm c. 900-1150mm
- ▲ Pitch: Closed 32mm, extended 150mm.



PR5626

Model	Plastic Wheel	PR4313	PR4417	PR4522	PR4626	PR5313	PR5417
	Steel Wheel	SR4313	SR4417	SR4522	SR4626	SR5313	SR5417
Track Width (mm)	450				500		
Wheel Per Spindle	6				8		
No. of Section	3	4	5	6	3	4	
Length (mm) Closed/Extended	1068-3642	1368-4734	1668-5826	1968-6918	1068-3642	1368-4734	
Loading (kg/section)	70						

Model	Plastic Wheel	PR5522	PR5626	PR6313	PR6417	PR6522	PR6626
	Steel Wheel	SR5522	SR5626	SR6313	SR6417	SR6522	SR6626
Track Width (mm)	500			600			
Wheel Per Spindle				8			
No. of Section	5	6	3	4	5	6	
Length (mm) Closed/Extended	1668-5826	1968-6918	1068-3642	1368-4734	1668-5826	1968-6918	
Loading (kg/section)	70						

Rolling Step Stool RSS series

- ▲ Rolling Step Stool is safe for indoor use.
- ▲ Spring loaded casters for rolling and retract.
- ▲ Rubber ring around the base.
- ▲ Non-slip rubber surface on each step.
- ▲ Powder coating on steel construction.
- ▲ Easy assemble without need for tools.

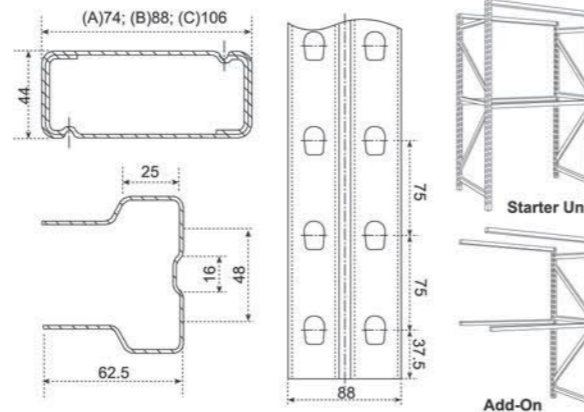


Model		RSS2P-40	RSS2P-45	RSS2S-50
Capacity	kg (lbs)	180 (400)	200 (450)	250 (500)
Top Dia.	(mm) inch.	280 (11)	285 (11.2)	290 (11.4)
Bottom Dia.	(mm) inch.	405 (16)	435 (17.1)	454 (17.9)
Height to Top Step	(mm) inch.	385 (15.2)	425 (16.7)	435 (17.1)
Color Finish		Yellow / Gray	Yellow / Gray	Yellow / Blue
Construction		Plastic	Plastic	Steel
Quantity Steps		2	2	2
Quantity/CTN		1	1	1
Carton Size	(mm) inch.	420x220x400 (16.5x8.7x15.7)	450x235x435 (17.7x9.3x17.1)	460x235x450 (18.1x9.3x17.7)
G.W./N.W.	kg (lbs)	3/2.5 (6.5/5.5)	4.5/3.5 (10/7.5)	6/5 (13/11)
QTY/20" Container	pcs	750(with pallet)	570(with pallet)	520(with pallet)
Mini.Order QTY	pcs	750	570	40

Pallet Racking



Box - Formed Beam

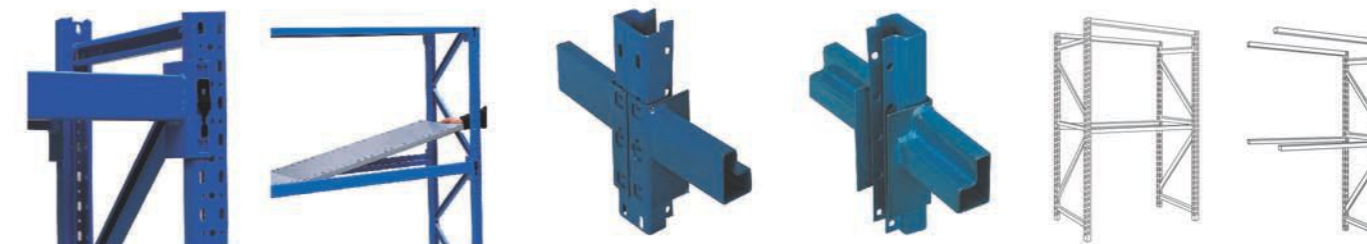
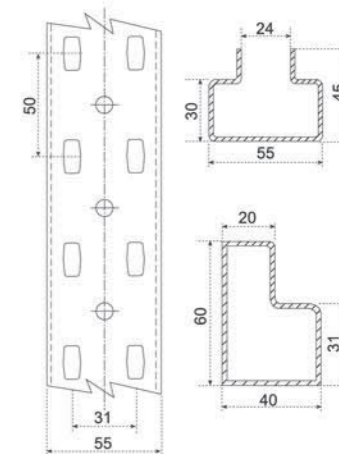


(A) 74 BOX-FORMED BEAM		6 Shelves (Height 6M)		5 Shelves (Height 4.8M)		3 Shelves (Height 3.2M)	
WxD (mm)	Shelf Cap. Level (kg)	Article No.		Article No.		Article No.	
		Starter	Add-On	Starter	Add-On	Starter	Add-On
1524x800	2500	85-76158	85-76158A	85-75158	85-75158A	85-73158	85-73158A
2286x800	2000	85-76228	85-76228A	85-75228	85-75228A	85-73228	85-73228A
2740x800	1500	85-76278	85-76278A	85-75278	85-75278A	85-73278	85-73278A
3048x800	1200	85-76308	85-76308A	85-75308	85-75308A	85-73308	85-73308A
3810x800	800	85-76388	85-76388A	85-75388	85-75388A	85-73388	85-73388A
1524x1000	2500	85-761510	85-761510A	85-751510	85-751510A	85-731510	85-731510A
2286x1000	2000	85-762810	85-762810A	85-752810	85-752810A	85-732810	85-732810A
3048x1000	1200	85-763010	85-763010A	85-753010	85-753010A	85-733010	85-733010A
2240x1000	1500	85-762210	85-762210A	85-752210	85-752210A	85-732210	85-732210A
3810x1000	800	85-763810	85-763810A	85-753810	85-753810A	85-733810	85-733810A

(B) 88 BOX-FORMED BEAM		6 Shelves (Height 6M)		5 Shelves (Height 4.8M)		3 Shelves (Height 3.2M)	
WxD (mm)	Shelf Cap. Level (kg)	Article No.		Article No.		Article No.	
		Starter	Add-On	Starter	Add-On	Starter	Add-On
1524x800	3000	85-86158	85-86158A	85-85158	85-85158A	85-83158	85-83158A
2286x800	2500	85-86228	85-86228A	85-85228	85-85228A	85-83228	85-83228A
2740x800	2000	85-86278	85-86278A	85-85278	85-85278A	85-83278	85-83278A
3048x800	1800	85-86308	85-86308A	85-85308	85-85308A	85-83308	85-83308A
3810x800	1200	85-86388	85-86388A	85-85388	85-85388A	85-83388	85-83388A
1524x1000	3000	85-861510	85-861510A	85-851510	85-851510A	85-831510	85-831510A
2286x1000	2500	85-862210	85-862210A	85-852210	85-852210A	85-832210	85-832210A
2740x1000	2000	85-862710	85-862710A	85-852710	85-852710A	85-832710	85-832710A
3048x1000	1800	85-863010	85-863010A	85-853010	85-853010A	85-833010	85-833010A
3810x1000	1200	85-863810	85-863810A	85-853810	85-853810A	85-833810	85-833810A

(C) 106 BOX-FORMED BEAM		6 Shelves (Height 6M)		5 Shelves (Height 4.8M)		3 Shelves (Height 3.2M)	
WxD (mm)	Shelf Cap. Level (kg)	Article No.		Article No.		Article No.	
		Starter	Add-On	Starter	Add-On	Starter	Add-On
1524x800	4000	85-106158	85-106158A	85-105158	85-105158A	85-103158	85-103158A
2286x800	3000	85-106228	85-106228A	85-105228	85-105228A	85-103228	85-103228A
2740x800	2700	85-106278	85-106278A	85-105278	85-105278A	85-103278	85-103278A
3048x800	2400	85-106308	85-106308A	85-105308	85-105308A	85-103308	85-103308A
3810x800	1900	85-106388	85-106388A	85-105388	85-105388A	85-103388	85-103388A
1524x1000	4000	85-1061510	85-1061510A	85-1051510	85-1051510A	85-1031510	85-1031510A
2286x1000	3000	85-1062210	85-1062210A	85-1052210	85-1052210A	85-1032210	85-1032210A
2740x1000	2700	85-1062710	85-1062710A	85-1052710	85-1052710A	85-1032710	85-1032710A
3048x1000	2400	85-1063010	85-1063010A	85-1053010	85-1053010A	85-1033010	85-1033010A
3810x1000	1900	85-1063810	85-1063810A	85-1053810	85-1053810A	85-1033810	85-1033810A

Storage Racking



Option: Decking

60 Step Down Beam

Starter Unit

Add-On Unit

60 Step Down Beam		5 Shelves (Height 3M)		4 Shelves (Height 2.5M)		3 Shelves (Height 1.8M)		2 Shelves (Height 1.5M)	
WxD (mm)	Shelf Cap. Level (kg)	Article No.		Article No.		Article No.		Article No.	
		Starter	Add-On	Starter	Add-On	Starter	Add-On	Starter	Add-On
900x500	1000	55-6595	55-6595A	55-6495	55-6495A	55-6395	55-6395A	55-6295	55-6295A
1200x500	900	55-65125	55-65125A	55-64125	55-64125A	55-63125	55-63125A	55-62125	55-62125A
1800x500	700	55-65185	55-65185A	55-64185	55-64185A	55-63185	55-63185A	55-62185	55-62185A
2400x500	500	55-65245	55-65245A	55-64245	55-64245A	55-63245	55-63245A	55-62245	55-62245A
900x700	1000	55-6597	55-6597A	55-6497	55-6497A	55-6397	55-6397A	55-6297	55-6297A
1200x700	900	55-65127	55-65127A	55-64127	55-64127A	55-63127	55-63127A	55-62127	55-62127A
1800x700	700	55-65187	55-65187A	55-64187	55-64187A	55-63187	55-63187A	55-62187	55-62187A
2400x700	500	55-65247	55-65247A	55-64247	55-64247A	55-63247	55-63247A	55-62247	55-62247A
900x800	1000	55-6598	55-6598A	55-6498	55-6498A	55-6398	55-6398A	55-6298	55-6298A
1200x800	900	55-65128	55-65128A	55-64128	55-64128A	55-63128	55-63128A	55-62128	55-62128A
1800x800	700	55-65188	55-65188A	55-64188	55-64188A	55-63188	55-63188A	55-62188	55-62188A
2400x800	520	55-65248	55-65248A	55-64248	55-64248A	55-63248	55-63248A	55-62248	55-62248A

Stretch Film Dispenser

- ▲ Lightweight, high strength.
- ▲ Comfortable foam padded handle.
- ▲ Teflon coated core for smooth film stretch.
- ▲ Film tension is adjustable.
- ▲ Suitable film width from 12 to 18".

Model	SFD	
Width	inch	Use with 12 to 18" wrap
Color Finish	Black/Chrome	
Assembly	Assembled	
Construction	Steel	



Pallet Jack Stopper

This durable Pallet Jack Stop prevents any movement on the floor of a truck or trailer. It can easily be picked up and placed in convenient spots. Drivers will never again have to tie down a pallet jack, use a load bar to hold it or flip it on its side. Just pull it into the Pallet Jack Stop and it's parked in less than two seconds.

- ▲ It is designed to eliminate freight and trailer door damage due to runaway pallet trucks.
- ▲ It protects valuable freight and equipment from damage caused by a drifting pallet truck.
- ▲ Ideal for freight companies, trucking companies, and other material handling customers.
- ▲ Easy to use, easy to store.



Model	PH02	
Overall Size	LxWxH (mm)	350x300x60
Gross Weight	(kg)	2.6
Net Weight	(kg)	2.4

Battery Transfer Platform

- ▲ Heavy duty with Max. capacity :1800kg
- ▲ Cost-effective, portable, 1100x675 mm usable deck
- ▲ One person can load, unload and move battery
- ▲ 56mm diameter steel rollers and hand-crank winch with 2000mm cable
- ▲ All-welded steel construction with durable powder coat finish

Model	BTP18-685		BTP18-540	
Capacity	kg (lbs)	1800 (4000)		
Deck	Width	mm (inch)	685 (27)	540 (21)
	Length	mm (inch)	1220 (48)	
	Height	mm (inch)	185 (7.3)	
Assembly	Assembled			
Construction	Steel			
Usable Deck Length	mm (inch)	1100 (42)		
Usable Deck Width	mm (inch)	675 (27)	530 (21)	



Safety Guard Rails

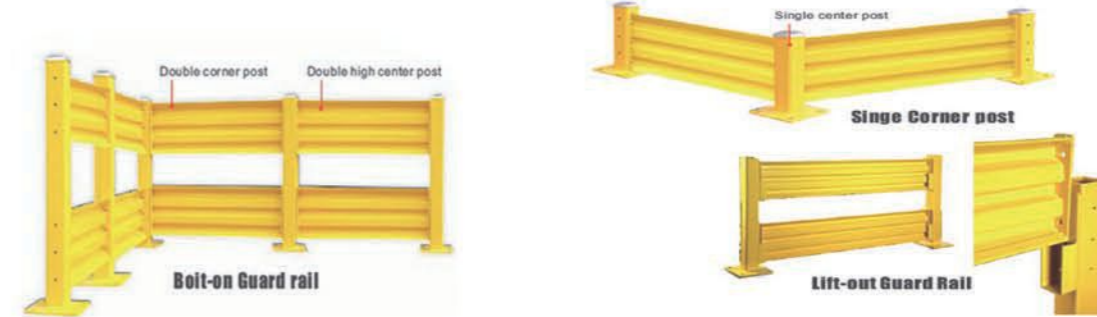
- ▲ 1/8"(11-ga.) steel for outdoor and indoor use; to protect individuals, equipments, and inventory. Industrial yellow powder coat finish increases visibility, durability and safety.
- ▲ Combines as a modular system which can be installed, removed or expanded.

BUILT-ON RAILS

Simple to assemble and install, rails come in several lengths for custom installations. All hardware, including bolts, anchors, washers, and nuts, are provided with post sections. Highly impact-resistant, triple-ridge corrugated design has no sharp edges or corners.

LIFT-OUT RAILS

Provided a strong barrier with easy accessibility. They have the same construction and profile as bolt-on rails, but slides into post saddles for simple assembly. Each rail section comes with two post saddles.



RIBBED BOLT-ON GUARD RAILS 1KG=2.2LB 1INCH=25.4MM

Article No.	Description	Overall Length(mm)	Overall Height(mm)	QTY. Per Package
1808301	1 FT bolt on rail	205	370	16
1808302	2 FT bolt on rail	510	370	16
1808303	3 FT bolt on rail	815	370	18
1808304	4 FT bolt on rail	1120	370	18
1808305	5 FT bolt on rail	1420	370	18
1808306	6 FT bolt on rail	1730	370	18
1808307	7 FT bolt on rail	2030	370	18
1808308	8 FT bolt on rail	2340	370	18
1808309	9 FT bolt on rail	2640	370	18
1808310	10 FT bolt on rail	2945	370	16

LIFT-OUT GUARD RAILS 1KG=2.2LB 1INCH=25.4MM

Article No.	Description	Overall Length (mm) (not including the length of post saddle)	Overall Height(mm)	QTY. Per Package
1808401	1 FT Lift out Rail	150	370	12
1808402	2 FT Lift out Rail	460	370	12
1808403	3 FT Lift out Rail	760	370	16
1808404	4 FT Lift out Rail	1070	370	10
1808405	5 FT Lift out Rail	1370	370	16
1808406	6 FT Lift out Rail	1675	370	10
1808407	7 FT Lift out Rail	1980	370	10
1808408	8 FT Lift out Rail	2285	370	10
1808409	9 FT Lift out Rail	2590	370	10
1808410	10 FT Lift out Rail	2900	370	10

Low Profile Floor Scale NA series

- ▲ Rugged steel diamond plate surface with heavy duty welded channel support.
- ▲ Overload protection to 150% of capacity, adjustable leveling feet, can be pit mounted or free standing.
- ▲ Four alloy tool steel potted load cells.
- ▲ Durable power coat finish, 6 digit 7 segment display, bi-directional RS232 port, and operator controls for Zero, Tare, Unit, net/gross and print. Converts to lb. or kg. readout.
- ▲ Deluxe stainless steel indicator as standard.
- ▲ Two slopes are optional equipments.
- ▲ Slopes LE36, LE48, LE60.



Model No.	NA1000	NA2000A	NA2000B	NA5000A	NA5000B
Measuring Range (kg)	1000	2000		5000	
Indexing Accuracy (kg)	0.2	0.5		1	
Sensor Capacity (kg)	1000	2000		2500	
Sensor Number			4		
Platform Size (mm)	915x915	1220X1220	1500X1500	1220X1220	1500X1500
Height (mm)			70		
Net Weight (kg)	75	145	180	160	200
Equipment Temperature	-10°C~+40°C relative temperature<95%				
Sensor Temperature	-20°C~+60°C				
Voltage	110V AC (-10%, +10%) 50 Hz				
Accuracy Class	3				
Slope	O	O	O	O	O

O = Option

Slops LE series

Model	LE36	LE48	LE60
Width (mm)	915 (36inch)	1220 (48inch)	1500 (59inch)
Length (mm)	915 (36inch)		
Angle (°)	4.45		
Net Weight (kg)	48 (106lbs)	63 (139lbs)	77 (170lbs)



Mobile Floor Scale NC series

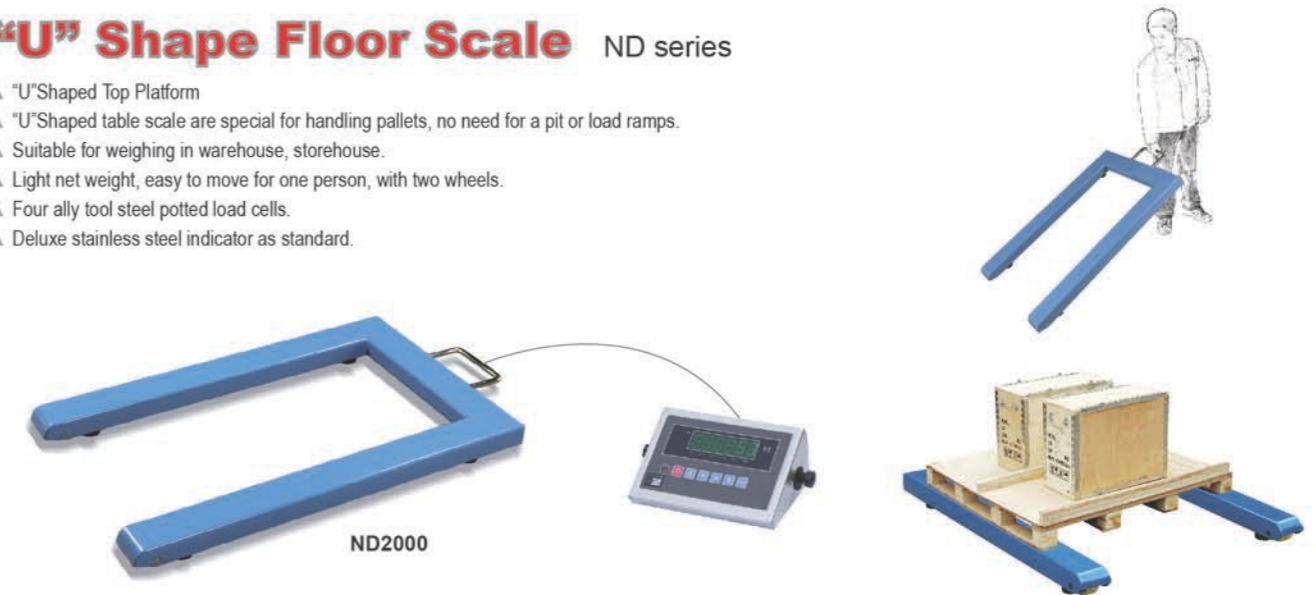
- ▲ Design like NA series floor scale, but can move with four castors.
- ▲ Four alloy tool steel potted load cells.
- ▲ Deluxe stainless steel indicator as standard.
- ▲ Two slopes are fixed to the platform as standard.
- ▲ Supplied flat-pack for easy assembly.



Model	NC1000A	NC1000B	NC1000C	NC1500A	NC1500B	NC1500C
Measuring Range (kg)		1000			1500	
Indexing Accuracy (kg)			0.5			
Sensor Capacity (kg)		1000			2000	
Sensor Number			4			
Platform Size (mm)	1000x1000	1000X1200	1500X1500	1000X1000	1000X1200	1500X1500
Overall Size With Slopes (mm)	2000x1300	2000X1500	2500X1800	2000X1300	2000X1500	2500X1800
Height (mm)			60			
Net Weight (kg)	180	200	280	180	200	280

"U" Shape Floor Scale ND series

- ▲ "U"Shaped Top Platform
- ▲ "U"Shaped table scale are special for handling pallets, no need for a pit or load ramps.
- ▲ Suitable for weighing in warehouse, storehouse.
- ▲ Light net weight, easy to move for one person, with two wheels.
- ▲ Four alloy tool steel potted load cells.
- ▲ Deluxe stainless steel indicator as standard.



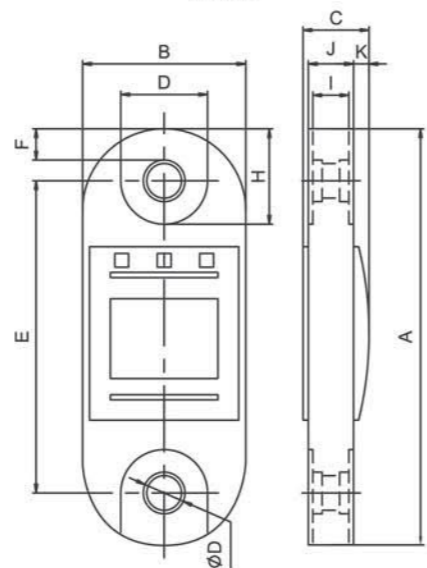
Model No.	ND500	ND1000	ND2000	ND3000	ND5000
Measuring Range (kg)	500	1000	2000	3000	5000
Indexing Accuracy (kg)	0.5	1	2	3	5
Sensor Capacity (kg)	500	1000	2000	2000	2500
Sensor Number	4				
Resolution Step (kg)	4	10	20	20	40
Height (mm)	120				
Net Weight (kg)	38	38	38	38	45

Digital Load Indicators ID series

- ▲ The load indicator is a mechanical measuring instrument with electronic display.
- ▲ Because of its flexibility the i-LIFT load indicator has universal applications.
- ▲ Whether used as a conventional crane scale or to measure forces, it is the economical choice for various applications. It can be used in conjunction with shackles and hooks.
- ▲ The load indicator is provided with liquid crystal display (LCD) which can tare as well as show either the gross or the net load.
- ▲ It also indicates the overload protection at 110% of the gross weight and the status of the battery.
- ▲ **Conforms to CE safety standard.**



ID1000



Model No.	ID250	ID500	ID1000	ID2000	ID3200	ID6400
Max Capacity	lbs. (kg) 550 (250)	1100 (500)	2200 (1000)	4400 (2000)	7000 (3200)	14000 (6400)
Precision	lbs. (kg) 4 (2)	8 (4)	16 (8)	30 (15)	50 (25)	100 (50)
Indexing Accuracy	lbs. (kg) 1 (0.5)	2 (0.9)	2 (0.9)	10 (4.5)	10 (4.5)	20 (9)
Test Capacity	lbs. (kg) 1100 (500)	2200 (1000)	4400 (2000)	8800 (4000)	14000 (6400)	28000 (12800)
Net Weight	lbs. (kg)	1.1 (0.5)		1.3 (0.6)	1.5 (0.7)	2.3 (1)
Figure dimension in. (mm)	A	8.66 (220)		9.17 (233)	9.57 (234)	10.8 (274)
	B	3.54 (89.9)		3.54 (89.9)	3.81 (96.8)	4.52 (114.8)
	C	1.65 (41.9)			1.89 (48.0)	
	ØD	0.55 (14.0)		0.86 (21.8)	0.86 (21.8)	1.1 (27.9)
	E	7.71 (195.8)		8.15 (207.0)	8.15 (207.0)	8.54 (216.9)
	F	0.47 (11.9)		0.51 (12.7)	0.71 (18.0)	1.14 (29)
	G	1.38 (31.5)		1.77 (45.0)	1.77 (45.0)	2.13 (54.1)
	H	1.43 (36.3)		1.83 (46.5)	2.2 (55.9)	2.75 (69.9)
	I	0.62 (15.7)			1.0 (25.4)	
	J	1.06 (26.9)			1.3 (33.0)	
K	0.4 (10.2)			0.4 (10.2)		

Logislift load indicator feature include, high accuracy, lightweight design, easy to read display, easy to use, excellent quality, sturdy design, retains the maximum value to memory.

Crane Scale CW series

- ▲ A compact measuring device for weighing loads during lifting.
- ▲ Appropriate tackle can be attached to assist in the lifting and weighing.
- ▲ The crane weighers have a liquid crystal display (LCD), which can tare as well as show either the gross or net loads.
- ▲ It also indicates the load protection at 110% of the gross weight and the status of the battery.
- ▲ **Conforms to CE safety standard.**



CW100

CW50

CW10



360° Swivelled hook as option



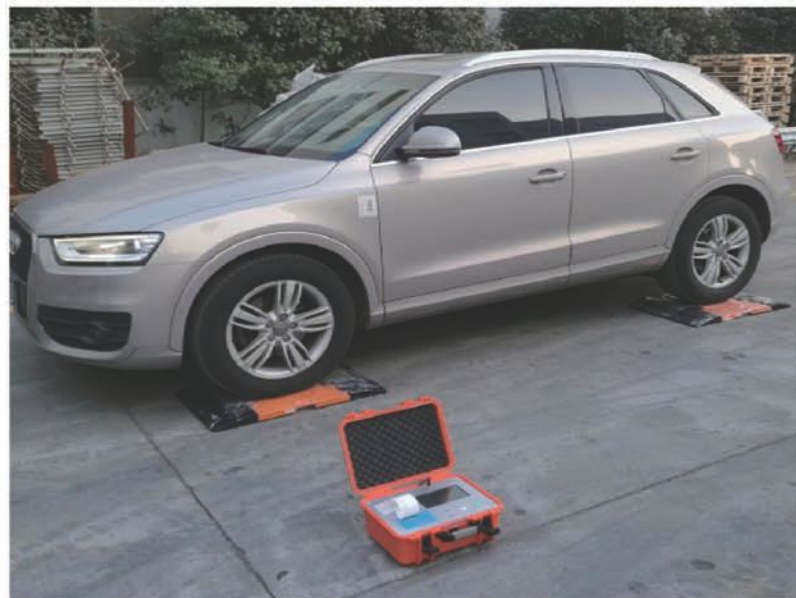
CW100 (Swivelled hook)



Model	CW05	CW10	CW20	CW30	CW50	CW100	CW150
Measuring Range (tonne)	0-0.5	0-1	0-2	0-3	0-5	0-10	0-15
Indexing Accuracy (kg)	0.2	0.5	1	1	2	5	5
Resolution Step (kg)	4	10	20	20	40	100	100
Dimension	A (mm)		315		315	355	355
	B (mm)		430		570	650	740
	C (mm)		540		710	820	930
Net Weight (kg)	5	11	11	15	21	50	58

Portable Axle Weighing Scale PAWS series

- ▲ High intensity aluminum alloy raw material, light to carry.
- ▲ Water proof. It can be used in raining or snowing environment.
- ▲ Seal protection for normal working environment such as Standard Concrete Road, Flat Construction Site, High Way check, etc.
- ▲ Load cell based with high Weighing In-Motion accuracy and OIML Standard Static accuracy.
- ▲ Wide weighing pads even can carry one axle with 4 wheels.
- ▲ Load cell over load protection with 120% overload protection.
- ▲ Build-in Cable protector to avoid error when cable is broken.
- ▲ Build-in anti-electromagnetic interference to make sure weighing result would not be influenced.
- ▲ Build-in auto compensation system to compensate weighing error on double joint axle or triple joint axle.
- ▲ 3-year warranty. The dimension of pads, weighing capability and cable length are all customizable in case of necessary.



Model No.	PAWS20				
Weighing Capability	Wheel Weight ≤ 20 TON		Temperature Compensation Range		-10~+50℃
	Axle Weight ≤ 40 TON		Sensitive Influence by Temperature		0.1%/10℃
	Whole Truck Weight ≤ 1000 TON		Zero Temperature Influence		0.1%/10℃
Static Accuracy	±0.3%	In-Motion Accuracy	±2.0%	Excitation Voltage	5V (DC)
Sensitive	1±0.2 MV/V	Nonlinearity	≤0.10%	Insulation Resistance	≥5000 MΩ(100VDC)
Repeatability	≤0.01%FS	Zero Output	4~10%	Working Temperature	-40~+80℃
Input Impedance	120±10Ω	Output Impedance	110±10Ω	Overload Protection	120%

Pallet Wrapping Machine PLC2020

- ▲ The machine is PLC control system and display screen control panel.
- ▲ Progressive start/stop of a rotating bank.
- ▲ Automatically detect cargo height by sensor and also come with limit block.
- ▲ All speed and film tension can be adjustable on control panel.
- ▲ Come with the emergency stop switch.
- ▲ Parameters setting in display screen directly



Model No.	PLC2020	
Type	Automatic	
Max. Load Capacity	(kg)	2000
Max. Packing Height	(mm)	2000
Max. Pallet Size	(mm)	1200x1200
Standard Turntable Dia.	(mm)	1500 (optional 1650mm)
Turntable Height	(mm)	80
Turntable Rotation Speed	(rpm/min)	3-12 (adjustable)
Pre-stretch Film Carriage	250% - 300%	
Control System	PLC control	
Operation Panel	Touch Screen	
Carriage up/down speed	adjustable	
Voltage/power	220v/1p 1.5kw 50Hz	
Efficiency	25 - 30 loads/hour	
Net Weight	(kg)	680
Film Specification	Max external diameter: 230mm	
	Internal diameter: 75mm	
	Width: 500mm	
	Thickness: 17-30 mic	