

Hydraulic Work Tables MD series

- ▲ Used as adjustable work bench, welder's positioning table, or leveling table.
- ▲ Ideal for punch presses, die handling, conveyors, brake presses, loading and unloading trucks and maintenance operations.
- ▲ Two poly swivel and two rigid castors.
- ▲ Reliable foot brake.

HOT!
SALE



Model No.	MD0246	MD0548	MD1048	MD2048A	MD2048B
Capacity (kg/lbs)	90/200	225/500	455/1000	900/2000	900/2000
Min.Height (mm/inch)	740/29		760/30		
Raised Height (mm/inch)	1170/46		1220/48		
Table Size (mm/inch)	410x410/16x16	460x460/18x18	460x915/18x36	610x915/24x36	815x1220/32x48
Diameter of Castor (mm/inch)	75/3		100/4		
Net Weight (kg/lbs)	34.5/76	69.5/153	90.5/202	102/225	140/308
Post (pcs)	No	two		four	

Model No.	MD2059A	MD2059B	MD4059A	MD4059B	MD6059A	MD6059B
Capacity (kg/lbs)	900/2000		1800/4000		2700/6000	
Min.Height (mm/inch)			940/37			
Raised Height (mm/inch)			1500/59			
Table Size (mm/inch)	610x915/24x36	815x1220/32x48	610x915/24x36	815x1220/32x48	610x915/24x36	815x1220/32x48
Diameter of Castor (mm/inch)	150(125)/6					
Net Weight (kg/lbs)	187/412	240/528	187/412	240/528	187/412	240/528
Post (pcs)	four					

Hydraulic Work Tilter XH series

- ▲ Reduces strain-positions your work at the precise height and angle you select.
- ▲ Table height 720-1070mm great for dies, mould, parts bin, etc.
- ▲ Lightweight, mobile, all-steel construction.
- ▲ Platform can be set at various heights and tilted to a certain angle to reduce strain and overexertion.
- ▲ Hydraulic pump lift the platform to the height you want.
- ▲ Four swivel casters making the work positioners extremely easy to maneuver.

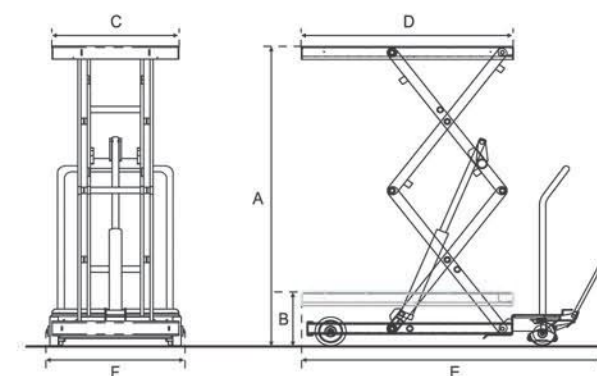


Model No.	XH15	XH20
Rated Capacity (kg)	150	200
Table Size (mm)	510x410	
Table Height Range (mm)	720-1070	
Adjustable Table Angle	0-40°	
Net Weight (kg)	38	

Scissor Lift Table SC series

Most Popular in UK

- ▲ Simple, compact design.
- ▲ Fully complying product.
- ▲ Manual operation.
- ▲ All tables fitted with service props.
- ▲ Simple to add rollers etc.
- ▲ Fully serviceable components.
- ▲ Fast moving product line..



Model No.	SC-125-D-M	SC-150-S-M	SC-300-S-M	SC-300-D-M	SC-450-D-M	SC-500-S-M
Rated Capacity (kg)	125	150	300	300	450	500
Max. Height A (mm)	1420	780	840	1350	1550	900
Min. Height B (mm)	430	255	335	295	295	340
Platform Width C (mm)	500	450	500	590	610	610
Platform Length D (mm)	840	760	840	840	1030	1030
Overall Size ExF (mm)	1090x500	990x450	1050x500	1190x640	1350x665	1320x610
Scissors	2	1		2		1
Operation	Manual					

Floor Lock FR series

- ▲ Universal for different applications.
- ▲ Prevents accidental rolling and stabilizes stationary loads on platform trucks, fixture dollies, and other castered equipment. Locks when large friction face is pressed against floor. Simple foot pressure easily engages and disengages lock.
- ▲ Rubber padding is vulcanized to lock, preventing separation and ensuring floor protection. Zinc plated to guard against corrosion.



Model	FR01	FR02	FR03	FR04	FR05	FR06	FR07	FR08
Top Plate Size (in.)	4x4 ¹ / ₂	4x4 ¹ / ₂	4x4 ¹ / ₂	4x4 ¹ / ₂	4x4 ¹ / ₂	4x4 ¹ / ₂	5x7 ¹ / ₄	5x7 ¹ / ₄
Mounting Height (in.)	5 ⁵ / ₈	6 ¹ / ₂	7 ¹ / ₄	7 ¹ / ₂	9 ¹ / ₂	10 ¹ / ₈	8	10 ¹ / ₂
Used with Castor Size (in.)	4	5	6	6	8	8	6	8
Net Weight (kg)	1.40	1.42	1.46	1.47	1.57	1.60	2.80	2.90

Manual Work Tilter XL series

- ▲ Reduces strain-positions your work at the precise height and angle you select.
- ▲ Choose table height range 510-700mm or 720-1070mm great for dies, mould, parts bin, etc.
- ▲ Lightweight, mobile, all-steel construction.
- ▲ Platform can be set at various heights and tilted to a certain angle to reduce strain and overexertion.
- ▲ Telescoping shaft with safety lever secures the work positioners to the height you want.
- ▲ Four swivel casters making the work positioners extremely easy to maneuver.
- ▲ Angle of table is adjustable from 0-40°.
- ▲ A valve core for pneumatic purpose.

Model No.	XL15A	XL15B	XL15C
Capacity (kg)	150	150	150
Table Size (mm)	510x410		
Table Height Range (mm)	510-700	720-1070	720-970
Adjustable Table Angle	0-40°	0-40°	0°
Net Weight (kg)	28	30	23



Mechanical Lift Table TWS / MLT series

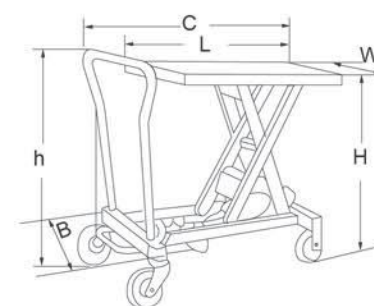
- ▲ Lift table are designed for use in shipping and receiving rooms, warehouse stock rooms, shops, laboratories, stores, etc.
- ▲ Each unit comes equipped with steel platform, adjusting knob, base frame, 4" polyurethane casters, and all mounting hardware.



Model No.	TWS150	TWS300	MLT2000-1	MLT2000-2
Type	Tilting Work Stand		Mechanical lift table	
Capacity (kg)	70	140	1000	
Platform (mm)	560x533	610x610	610x914	762x1220
Raised Height (mm)	960	1066	1066	
Lowered Height (mm)	711	800	610	
Fast/Slow	--		Fast/Slow	
Tilt Angle	0-45°	0-30°	--	
Caster	4 Swivel casters, 2 with brake		2 Rigid, 2 Swivels with brake	
Packing Size (mm)	580x580x190	640x650x790	650x960x650	800x1250x650
Net Weight (kg)	25	39	60	65

Scissor Lift Table AS series

- ▲ Economic range but reliable.
- ▲ New design to meet norm EN1570: 1999.
- ▲ New hydraulic system increases safety and protects your goods, stepless rate of lowering system remains irrespective of the weight of the load.



Model No.	AS20	AS30	AS50	AS80	AS35D
Rated Capacity (kg)	200	300	500	800	350
Table Size LxW (mm)	700x450	852x502		920x520	
Table Height Hmin/Hmax (mm)	265/755	330/910	390/910	442/1000	435/1500
Handle Height h (mm)	980	1100		1130	
Wheel Dia. (mm)	Φ100	Φ125		Φ150	
Overall Size BxC (mm)	450x870	502x1050		520x1170	
Foot Pedal to Max. Height	≤25	≤30	≤40	≤70	≤70
Net Weight (kg)	44	74	81	114	125

Lift Table ZC series

- ▲ Lifting height up to 1524mm.
- ▲ Foot operated hydraulic pump.
- ▲ Precise control of lowering speed.
- ▲ Removable push/pull handle.

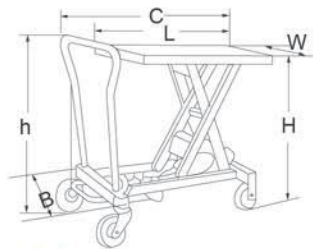
Model No.	ZC36	ZC48	ZC60
Rated Capacity (kg)	900	900	900
Lowered Height (mm)	609	762	915
Lifting Height (mm)	915	1220	1524
Platform Size LxW (mm)	915x610		
Lifting Speed (mm)	≥ 7		
Lowering Speed	Controllable		
Overall Length (mm)	1250		
Overall Width (mm)	660		
Overall Height (mm)	970		
Wheel	Load Wheel Diameter (mm)		
	Steering Wheel Diameter (mm)		
Net Weight (kg)	120	130	140



Scissor Lift Table BS series

- ▲ Heavy duty range
- ▲ New design to meet norm EN1570: 1999.
- ▲ New hydraulic system increases safety and protects your goods, tepless rate of lowering system remains irrespective of the weight of the load.

**HOT!
SALE**



BS25/50/100



BS30D



BS50LA



BS50DL / BS100DL

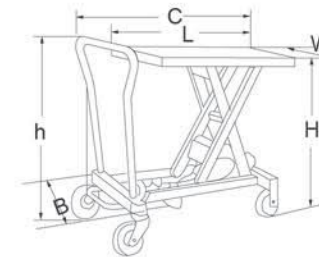


Model No.	BS15	BS25	BS50	BS75	BS100	BS50LA	BS50LB
Load Capacity (kg/lbs)	150/330	250/550	500/1100	750/1650	1000/2200	500/1100	500/1100
Platform Size(LxW) (mm)	700x450	830x500	1010x520	1010x520	1200x800	1525x620	1200x800
Min. Table Height (mm)	265	330	435	442	445	400	370
Max. Table Height (mm)	755	910	1000	1000	950	1100	1190
Front Load Wheel (mm)	φ100	φ125	φ150	φ150	φ150	φ150	φ150
Steering Wheel (mm)	φ100	φ125	φ150	φ150	φ150	φ150	φ150
Handle Height (mm)	1015	1085	1100	1100	1100	1100	1100
Overall Size (mm)	450x930	500x1065	520x1275	1275x520	1430x800	1735x620	1485x800
Foot Pedal to Max. Height (times)	20	28	55	65	85	99	99
Net Weight (kg)	41	78	118	120	137	175	160

Model No.	BS15D	BS30D	BS50D	BS80D	BS100L	BS50DL	BS100DL
Load Capacity (kg/lbs)	150/330	300/660	500/1100	800/1760	1000/2200	500/1100	1000/2200
Platform Size(LxW) (mm)	830x500	300/660	1010x520	1010x520	1200x800	1200x800	1200x800
Min. Table Height (mm)	435	435	440	470	425	520	520
Max. Table Height (mm)	1435	1585	1580	1410	1225	2000	2000
Front Load Wheel (mm)	φ150	φ150	φ150	φ150	φ150	160	200
Steering Wheel (mm)	φ150	φ150	φ150	φ150	φ150	160	200
Handle Height (mm)	1085	1100	1100	1100	1100	1100	1100
Overall Size (mm)	500x1065	500x1065	520x1275	520x1275	1430x800	1430x800	1430x800
Foot Pedal to Max. Height (times)	30	77	85	95	99	179	255
Net Weight (kg)	90	150	168	165	163	222	242

Scissor Lift Table QT series

- ▲ Heavy duty range
- ▲ New design to meet norm EN1570: 1999.
- ▲ New hydraulic system increases safety and protects your goods, tepless rate of lowering system remains irrespective of the weight of the load.



QT25



QT30D

Model No.	QT15	QT25	QT50	QT75	QT100	QT30D	QT50D	QT80D	QT50L	
Capacity (kg)	150	250	500	750	1000	300	500	800	500	
Table Size LxW (mm)	700x450	830x500	1010x520			1525x620				
Table Height H (Min./Max.)(mm)	265/755	330/910	435/1000	442/1000	445/950	435/1585	440/1580	470/1410	400/1100	
Handle Height h (mm)	1015	1085	1100							
Wheel Dia. (mm)	φ100	φ125	φ150							
Overall Size BxC (mm)	450x930	500x1065	520x1275				620x1780			
Foot Pedal to Max. Height	22	30	65	75	80	65	75	80	100	
Net Weight (kg)	41	78	118	120	137	150	168	165	175	

Spring Actuated Lift Table BC series

- ▲ Self-leveling, fully adjustable, weight sensitive!
- ▲ Designed to maintain an ideal working height for assembly lines and loading/unloading operations.
- ▲ Balance achieved by double springs fitted to the shock absorbers.
- ▲ Simple to operate spring tension adjustment.



BC21

Model No.	BC06	BC12	BC21	BC40	BC60
Operation Type	Spring Actuated				
Load Capacity (kg/lbs)	60/130	120/260	210/460	400/880	600/1320
Min. Table Height (mm)	360	360	360	440	440
Max. Table Height (mm)	770	770	770	800	800
Table Size (mm)	830x500	830x500	830x500	1010x520	1010x520
Castor (mm)	φ125	φ125	φ125	φ125	φ125
Packing Size (mm)	1065x500x110	1065x500x110	1065x500x110	1200x500x1100	1200x500x1100
Operation Disc Dia. (mm)	φ400	φ400	φ400	-	-
Net Weight (kg)	65	70	75	123	135

Stainless Steel Lift Table BSS series

**HOT!
SALE**

- ▲ Robust structure yet light weight.
- ▲ Made of stainless #304 or #316.
- ▲ Two brakes increase safety.
- ▲ Stainless structure ideal for pharmaceutical, food, beverage etc.
- ▲ Meet EN1750.



Model No.	BSS10	BSS20	BSS50	BSS30D	BSA10
Capacity (kg)	100	200	500	300	100
Table Size LxW (mm)	700x450	830x500	1010x520	910x550	700x450
Table Height H (Min./Max.)(mm)	265/755	330/910	442/1000	355/1300	265/755
Handle Height h(mm)	1000		1100	1100	1000
Wheel Dia. (mm)	Φ100	Φ125	Φ150	Φ125	Φ100
Overall Size BxC (mm)	450x950	500x1010	520x1275	550x950	450x950
Foot Pedal to Max. Height	20	28	30	53	40
Net Weight (kg)	40	78	85	105	23

Mechanical Scissor Table MST series

- ▲ Adjustable height 440 - 1000mm
- ▲ 2 castor wheels with brakes and 2 fixed wheels
- ▲ Easy height adjustment with handle



Model No.	MST30	MST50	MSTS30	MSTS50
Rated Capacity (kg)	300	500	300	500
Material	Carbon steel		Stainless steel	
Table Size LxW (mm)	950x600	950x600	950x600	950x600
Table Height (Min/Max) (mm)	440/1000	550/1000	440/1000	550/1000
Wheel Dia. (mm)	Φ125	Φ150	Φ125	Φ150
Package Size (mm)	1000x620x450			
Net Weight (kg)	60	70	60	70

Scissor Lift Table TF-A series

**HOT!
SALE**

- ▲ Economic range but reliable.
- ▲ New design to meet norm EN1570:1999.
- ▲ New hydraulic system offer you safety and protect cargo.
- ▲ Stepless rate of lowering system remain irrespective of the weight of load.
- ▲ Meet EN1750.



Model No.	TF15A	TF30A	TF50A	TF75A	TF100A	TF35DA	TF70DA
Load capacity (kg)	150	300	500	750	1000	350	700
Min. Table Height (mm)	220	285	285	420	380	355	445
Max. Table Height (mm)	720	880	880	990	990	1300	1500
Platform size (mm)	700*450	850*500	850*500	1000*510	1016*510	910*500	1220*610
Handle Height (mm)	950	990	990	990	980	975	1015
Handle Type	foldable	foldable	foldable	fixed	fixed	fixed	fixed
Wheel size (mm)	Φ100*25	Φ125*40	Φ125*40	Φ147*50	Φ147*50	Φ125*40	Φ125*40
Strokes	≤28	≤27	≤27	≤45	≤82	≤53	≤97
Net Weight (kg)	49	77	81	125	140	105	195

Rotary Lift Table LMY series

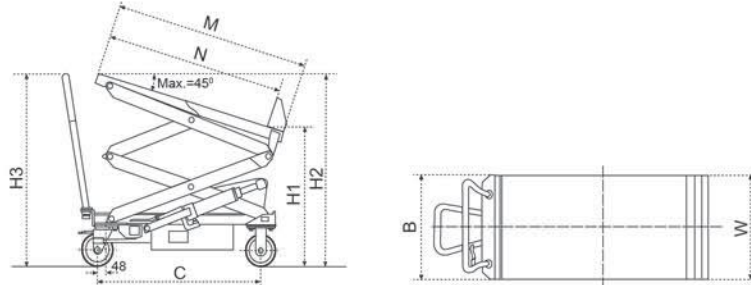
- ▲ Maneuverable, lightweight, Platform rotating 360°.
- ▲ New design to meet norm EN1570: 1999.
- ▲ New hydraulic system increases safety and protects your goods, stepless rate of lowering system remains irrespective of the weight of the load.



Model No.	Load Capacity (kg/lb.)	Min. Table Height (mm)	Max. Table Height (mm)	Table Size (mm)	Wheel size (mm)	Net Weight (kg)
LMY2-75	200/440	550	750	Φ600	Φ75	48
LMY2-106	200/440	700	1060	Φ600	Φ75	54

Lift Table Tilter BL series

- ▲ The Lift & Tilt Tables from i-LIFT are specifically designed to allow an operator to feed and unload parts from tote boxes or containers quickly and easily without lifting, bending, stretching, or reaching.
- ▲ When in its lift and tilt position, the unit holds totes or containers at a comfortable working height and angle that allows operators to easily reach parts even at the bottom of the container.
- ▲ The working table is elevated by means of a foot actuated hydraulic cylinder. As the table is raised, it automatically tilts to an angle of 45° at full elevation. Built-in retaining lip keeps containers in place.


BL40

Model No.	BL15	BL40	BL80
Capacity (kg)	150	400	800
Table Size TxW (mm)	830x500	830x520	830x520
Dimensions	M (mm)	830	930
	N (mm)	748	830
Table Height	H1(min/max) (mm)	415/880	435/900
	H2(min/max) (mm)	415/1400	435/1560
Handle Height	H3 (mm)	1100	1130
	Wheel Dia. (mm)	Φ125	Φ150
Overall Size BxC (mm)	500x1010	520x1355	520x1355
Foot Pedal to Max. Height	20	55	80
Net Weight (kg)	92	123	145

Lift Table BZ / EZ series

- ▲ Min. Height 230mm (9inch)
- ▲ Foot operated hydraulic pump (manual type)
- ▲ Meet EN1570 norm and ANSI/ASME safety standards (electric type)

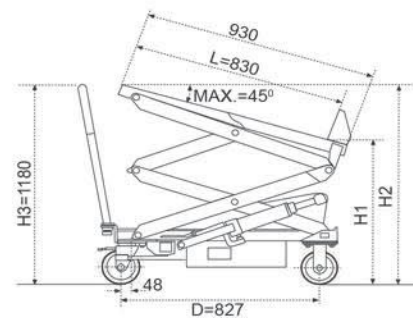

BZ70B

EZ75A


Model No.	BZ70A	BZ70B	EZ75A	EZ75B
Type	Manual		Electric	
Capacity (kg (lbs))	700 (1540)		750 (1650)	
Min. Height (mm (inch))	230 (9)			
Max. Height (mm (inch))	840 (33)	1065 (42)	840 (33)	1065 (42)
Lifting Time (s)	--		12-17	13-18
Platform Size (mm (inch))	916x610 (36x24)	1220x610 (48x24)	916x610 (36x24)	1220x610 (48x24)
Handle Height (mm (inch))	935 (37)			
Front Wheel Diameter (mm (inch))	Φ125 (Φ5)			
Steering Wheel Diameter (mm (inch))	Φ100 (Φ4)			
Overall Size (mm (inch))	1280x750x935 (50x30x37)	1580x750x935 (62x30x37)	1250x750x935 (49x30x37)	1550x750x935 (61x30x37)
Power Pack (kw/v (hp/v))	--		0.8/12 (1.1/12)	
Battery (Ah/v)	--		54/12	
Net Weight (kg (lbs))	130 (285)	158 (350)	168 (370)	192 (420)

Electric Lift Table Tilter TS series

- ▲ Lifts heavy loads with ease.
- ▲ Allow an operator to feed and unload parts from tote boxes or containers quickly without bending down or up, stretching or reaching.
- ▲ Power unit made in Europe, DC 800W.
- ▲ High quality battery service free 70Ah/12V.
- ▲ A separate automatic charger.
- ▲ Two brakes on steering wheel increase safety.
- ▲ Wheel Diameter: 150mm, handle height 1180mm.

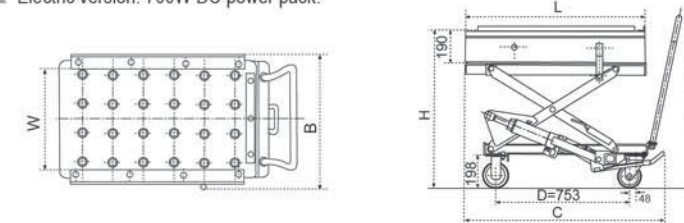

TS40

TS80

Model No.	TS40	TS80
Capacity (kg)	400	800
Table Size LxW (mm)	830x520	
Table Height (Min./Max.)	H1 (mm)	500/990
	H2 (mm)	500/1000
Time to Max. Height (s)	H2 (mm)	500/1620
	Height (s)	20
Working Cycle (fully charged)	45	
Overall Size BxC (mm)	520x1185	520x1260
Net Weight (kg)	170	185

Transfer Lift Table BT / BE series

- ▲ Easier for loading and unloading operations by means of ball transfer unit.
- ▲ As the steel balls are raised, the goods on the table become very easy to move.
- ▲ As the steel balls are lower, the goods stay on table firmly.
- ▲ Electric version: 700W DC power pack.


BT45

Model No.	BT20	BT45	BT70	BT100	BE45	BE70	BE100	BE45L
Type	Manual				Electric			
Capacity (kg)	200	450	700	1000	450	700	1000	450
Table Size LxW (mm)	820x500	550x1006		550x1006				672x1516
Table Height Hmin/Hmax (mm)	520/1000	632/1185	632/1150	647/1140	640/1140	670/1140	670/1140	619/1329
Handle Height H3 (mm)	1100	1130		1130				
Wheel Diameter (mm)	Φ125	Φ150		Φ150				
Overall Size BxC (mm)	560x1010	580x1185	580x1260	580x1260	580x1185	580x1260	580x1260	672x1780
Stroke to Max. Height	30	65	75	75	--			
Lifting Speed (s)	--				15			
Net Weight (kg)	105	153	155	172	183	169	204	273

Electric Lift Table ES series

- ▲ Robust structure yet light weight
- ▲ Two brakes increase safety
- ▲ Power unit made in Europe DC 800W
- ▲ High quality battery, Single scissor 70 Ah/12V ; Double scissor 80 Ah/12V
- ▲ Automatic battery charger
- ▲ Wheel and roller diameter 150mm/200mm
- ▲ Handle height 1185mm

HOT!
SALE



ES30



ES50



ES50D



ES100L



ES100LD



Model No.	ES30	ES50	ES75	ES100	ES50LA	ES50LB
Loaded Capacity (kg/lbs)	300/660	500/1100	750/1650	1000/2200	500/1100	500/1100
Platform Size (mm)	1010×520				1525×620	1200×800
Min. Table Height (mm)	450	450	450	480	440	430
Max. Table Height (mm)	950	950	950	950	1150	1220
Front Load Wheel (mm)	φ150	φ150	φ150	φ150	φ150	φ150
Steering Wheel (mm)	φ150	φ150	φ150	φ150	φ150	φ150
Handle Height (mm)	1185	1185	1185	1185	1185	1185
Overall Size (mm)	520×1230	520×1230	520×1230	520×1230	1780×620	1390×800
Lifting Cycle once Charged	65	55	45	40	70	70
Lifting/Lowering Time (s)	15/15	15/15	15/15	15/15	12/75	12/75
Net Weight (kg)	140	148	154	169	215	220

Model No.	ES100L	ES30D	ES50D	ES80D	ES50LD	ES100LD
Loaded Capacity (kg/lbs)	1000/2200	300/660	500/1100	800/1760	500/1100	1000/2200
Platform Size (mm)	1200×800		1010×520		1200×800	1200×800
Min. Table Height (mm)	430	495	495	510	520	520
Max. Table Height (mm)	1220	1600	1618	1440	2000	2000
Front Load Wheel (mm)	φ150	φ150	φ150	φ150	φ200	φ200
Steering Wheel (mm)	φ150	φ150	φ150	φ150	φ200	φ200
Handle Height (mm)	1185	1185	1185	1185	1089	1089
Overall Size (mm)	1390×800	520×1230	520×1230	520×1230	1400×800	1400×800
Lifting Cycle once Charged	70	45	40	40	40	40
Lifting/Lowering Time (s)	12/75	15/15	15/15	15/15	20/25	30/35
Net Weight (kg)	225	183	198	208	266	286

Electric Lift Table ETF series

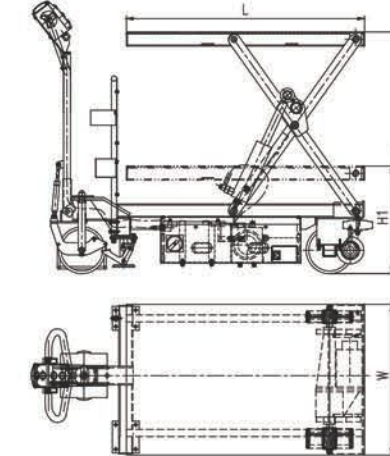
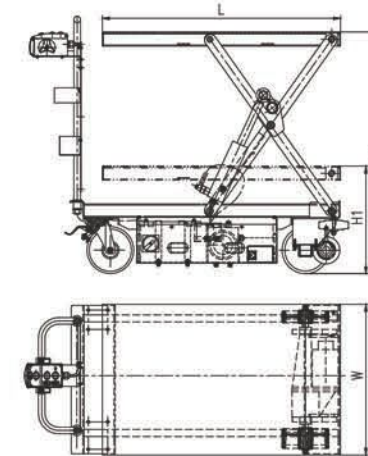
- ▲ Battery Operated Type
- ▲ Meet EN1570 norm and ANSI/ASME safety standards (electric type)



Model No.	ETF30	ETF50	ETF75	ETF35
Rated Capacity (kg)	300	500	750	350
Min. Height (mm)	290	440	420	370
Max. Height (mm)	840	1025	970	1300
Lifting Times (full charge)	120	100	100	100
Platform Size (mm)	820×500	1010×520	1000×510	910×500
Handle Height (mm)	920	970	935	920
Casters Diameter (mm)	Φ125 (Φ5)	Φ150 (Φ6)	Φ150 (Φ6)	Φ125 (Φ5)
Lifting Speed load/unload (mm/s)	65/94	65/94	70/80	90/110
Overall Length (mm)	1145	1305	1345	1210
Power Pack (w)	0.8	0.8	0.8	0.8
Battery (Ah/v)	15/12*2	15/12*2	15/12*2	15/12*2
Net Weight (kg)	115	157	160	142

Self-propelled Lift Table ESF/ESM series

- ▲ Self-propelled & electric lifting.
- ▲ Curtis controller & HALL accelerator.
- ▲ Meet EN1570 norm and ANSI/ASME safety standards.



ESF50D



ESM91D

Model No.	ESF50	ESF50D	ESM50	ESM50D	ESM91	ESM91D
Type	Fixed Handle			Middle Steering Handle		
Capacity (kg/lb.)	500/1100			900/2000		
Table Size LxW(mm)	1020x610					
Table Height H(Max/Min)(mm)	1000/460	1720/460	1000/460	1720/470	1075/460	1850/520
Lifting Cycle	55	40	55	40	45	40
Wheel Dia. (mm)	200					
Lifting/Lowering Time (s)	15/15					
Overall Size (mm)	1200x670x1030			1400x670x1170		
Netweight (kg)	214	220	220	235	240	250

Motorcycle Lift ZD series

- ▲ Designed for maintenance of Motorcycle.
- ▲ Heavy duty design for professional applications.
- ▲ Easy to operate by foot operated hydraulic pump, or air pump.
- ▲ This Lift is equipped with a wheel clamp against the front wheel.

**HOT!
SALE**



Operation		Hydraulic Pump
Model No.		ZD450H
Max. Capacity	(kg/lb.)	450/1000
Max. Platform Height	(mm)	780
Min. Platform Height	(mm)	180
Platform Size	(mm)	2200x680
Ramp Size	(mm)	600x680
Packing Size	(mm)	2280x730x280
Net Weight	(kg)	135



Operation		Air Pump
Model No.		ZD450Q
Max. Capacity	(kg/lb.)	450/1000
Max. Platform Height	(mm)	780
Min. Platform Height	(mm)	180
Platform Size	(mm)	2200x680
Ramp Size	(mm)	600x680
Packing Size	(mm)	2280x730x280
Net Weight	(kg)	140



Operation		Hydraulic & Air Pump
Model No.		ZD680HQ
Max. Capacity	(kg/lb.)	680/1500
Max. Platform Height	(mm)	830
Min. Platform Height	(mm)	180
Platform Size	(mm)	1950x710
Ramp Size	(mm)	580x710
Packing Size	(mm)	2030x770x310
Net Weight	(kg)	190

Electric Motorcycle Lift ZD-E series

- ▲ Designed for maintenance of Motorcycle.
- ▲ Heavy duty design for professional applications.
- ▲ Easy to operate by electric power pack 230V/50HZ/1P;
- ▲ This Lift is equipped with a wheel clamp against the front wheel.
- ▲ Use for a pit or on the ground.



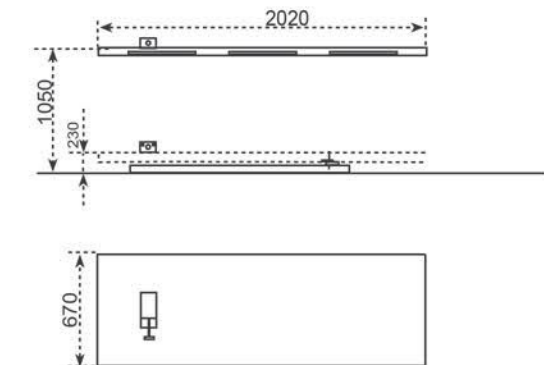
Ramp for tyre changing

Tyre clamp

Safety Switch

Pit use

Model No.		ZD680E
Load Capacity	(kg/lb.)	680/1500
Platform Length	(mm)	2020
Platform Width	(mm)	670
Min. Platform Height	(mm)	220
Max. Platform Height	(mm)	960
Lifting Time (unladn)	(sec.)	20-25
Low ering Time (unladn)	(sec.)	25-30
Power Pack		220V/50HZ/1P, 0.75kw
Net Weight	(kg)	155



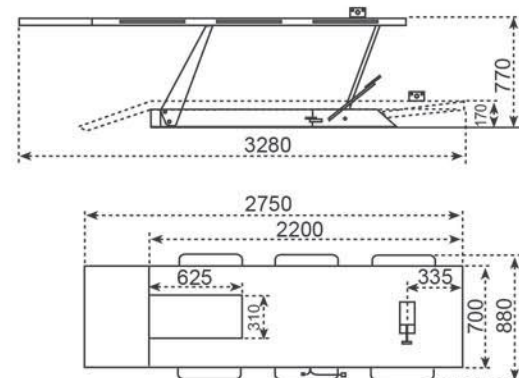
Ground use

Model No.		ZD680DM
Load Capacity	(kg/lb.)	680/1500
Platform Length	(mm)	2000
Platform Width	(mm)	600
Min. Platform Height	(mm)	190
Max. Platform Height	(mm)	830
Lifting Time (unladn)	(sec.)	20-25
Low ering Time (unladn)	(sec.)	25-30
Power Pack		220V/50HZ/1P, 0.75kw
Net Weight	(kg)	150



Motorcycle Lift MC500

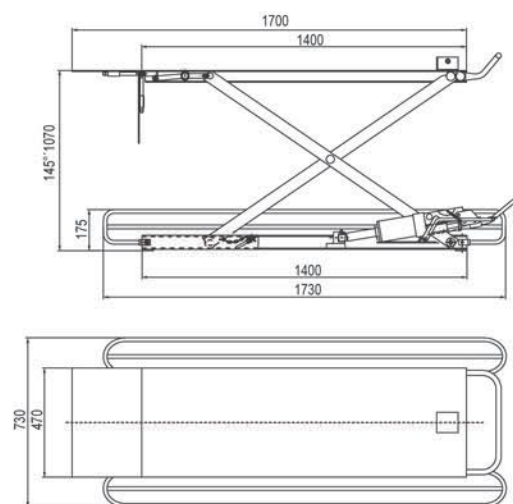
- ▲ Heavy duty design for professional applications.
- ▲ The lift is manufactured to work both indoors and outdoors.
- ▲ Easy to lift by foot operated hydraulic pump.
- ▲ This lift is equipped with a slot on the loading platform that permits taking the rear wheel off.
- ▲ The operator's safety is ensured by a overload valve and mechanical stopping devices that are always engaged, both lifting and lowering can be stopped at any position without affecting stability and safety conditions.



Model No.		MC500
Max. Capacity	(kg)	500
Max. Platform Height	(mm)	770
Min. Platform Height	(mm)	170
Platform Size	(mm)	2200x700
Net Weight	(kg)	193

Motorcycle Lift TC150

- ▲ Heavy duty design for professional applications.
- ▲ The lift is manufactured to work both indoors and outdoors.
- ▲ Easy to lift by foot operated hydraulic pump.
- ▲ This lift is equipped with a slot on the loading platform that permits taking the rear wheel off.
- ▲ The operator's safety is ensured by a overload valve and mechanical stopping devices that are always engaged, both lifting and lowering can be stopped at any position without affecting stability and safety conditions.

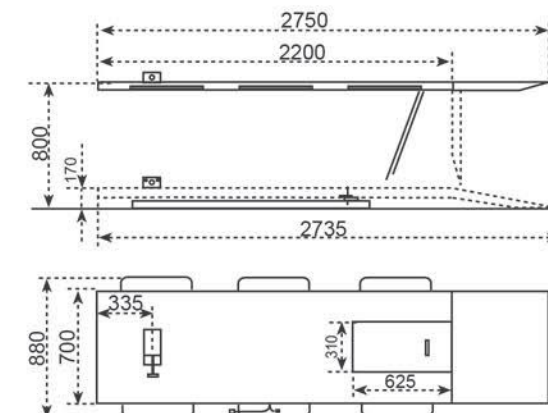


Model No.		TC150
Max. Capacity	(kg)	150
Max. Platform Height	(mm)	1070
Min. Platform Height	(mm)	145
Platform Size	(mm)	1400x470
Foot Pedal to Max. Height		40
Net Weight	(kg)	100

Motorcycle Lift TC750

Extremely practical and handy !

- ▲ Heavy duty design for professional applications.
- ▲ Easy to lift by foot operated hydraulic pump.
- ▲ Latest design of scissor structure ensures durability and stability.
- ▲ The operator's safety is ensured by a overload valve and mechanical stopping devices that are always engaged, both lifting and lowering can be stopped at any position without affecting stability and safety conditions .
- ▲ This lift is equipped with a special mechanical device to block the front wheel.
- ▲ Platform is completed with an extractable panel to facilitate dismounting of the back wheel without having to remove the lifting slide.
- ▲ A built-in overload valve in high quality hydraulic pump.

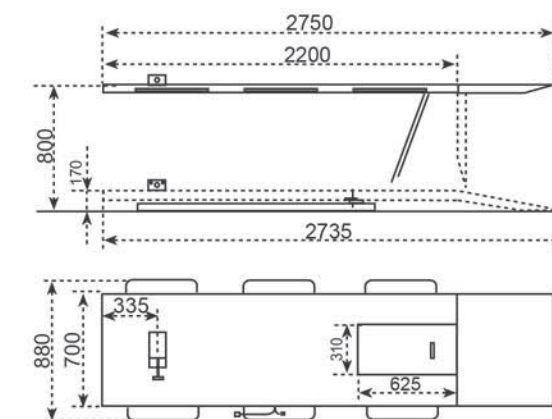


Model No.		TC750
Max. Capacity	(kg/lb.)	750/1680
Max. Platform Height	(mm)	800
Min. Platform Height	(mm)	170
Platform Size	(mm)	2200x700
Net Weight	(kg)	235



Electric Motorcycle Lift TE500

- ▲ Heavy duty design for professional applications.
- ▲ Latest design of scissor structure ensures durability and stability.
- ▲ This lift is equipped with a special mechanical device to block the dismounting of the back wheel without having to remove the lifting slide.
- ▲ High quality power pack made in Europe.



Model No.		TE500
Max. Capacity	(kg/lb.)	500/1100
Max. Platform Height	(mm)	800
Min. Platform Height	(mm)	170
Platform Size	(mm)	2200x700
Lifting Time	(s)	8-15
Power Pack		380V/50HZ, AC 1.1kw
Net Weight	(kg)	240

Spring Actuated Table Rotator SP / ESP series

- ▲ Automatically maintain a load at the ideal height for manual loading and unloading.
- ▲ Automatically maintain the top of the load at the working height.
- ▲ Includes a steel scissor lift mechanism and at least one large compression spring.
- ▲ The springs are chosen to match the weight and height of a fully load pallet.
- ▲ With a shock absorber to eliminate tendency for the load to bounce on the springs.
- ▲ **Meet EN1570 norm and ANSI/ASME safety standard.**

**HOT!
SALE**



SP2000B Closed Platform Type



SP2000A Open Platform Type



SPQ2000 Air Bag



SPG2000A Galvanized



ESP Electric Lifting



Pneumatic Mobile accessory



SPS2000B Stainless Steel



optional safety curtain type A

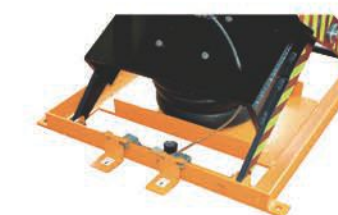


optional safety curtain type B

Model No.	SP2000A/B	SPG2000A/B	SPS2000A/B	SPQ2000	ESP1000	ESP2000	ESPG2000	ESPS2000
Material	Powder coated	Galvanized	Stainless AISI304	Powder coated	Powder coated	Powder coated	Galvanized	Stainless AISI304
Operation	Manual			Pneumatic	Electric			
Load Capacity (kg)	2000	2000	2000	2000	1000	2000	2000	2000
Lowered Height (mm)	240	240	240	265	300	300	300	300
Raise Height (mm)	705	705	705	710	710	710	710	710
Platform size (mm)	Ø1110	Ø1110	Ø1110	Ø1110	Ø1110	Ø1110	Ø1110	Ø1110
Chassis size (mm)	920x930	920x930	920x930	1150x930	920x930	920x930	920x930	920x930
Lifting Time	-	-	-	-	20-25	20-25	20-25	20-25
Power Pack (kw)	-	-	-	-	1.1	2.2	2.2	2.2
Net Weight (kg)	165	165	165	165	165	175	175	175

Air Bag Lift Table QN series

- ▲ Meet EN1570 norm and ANSI/ASME safety standard.
- ▲ Easy-to-use, easy-to-move power when you need it the most.
- ▲ With safe and clean activation system (no electricity or hydraulics required.)
- ▲ Less maintenance than conventional lift table.



Model		QN500	QN1000
Capacity	kg (lbs)	500 (1100)	1000 (2200)
Min. Height	mm (inch)	230 (9)	
Max. Height	mm (inch)	840 (33)	
Platform Size	mm (inch)	1220x812 (48x32)	
Base Frame Size	mm (inch)	1220x785 (48x31)	
Air pressure	Mpa	0.6	
Lift time	(sec)	25~30	
Net Weight	kg (lbs)	153 (337)	263 (579)

Mini Lift Table HZ series

- ▲ Small platform for special size materials.
- ▲ Meet EN1570 norm and ANSI/ASME safety standard.
- ▲ High quality power unit made in Europe.



**HOT!
SALE**



HZ0501



HZ1001

Model No.		HZ0501	HZ1001
Capacity	(kg)	500	1000
Lowered Height	(mm)	162	180
Raised Height	(mm)	950	770
Platform Size	LxW (mm)	610x910	610x916
Base Frame Size	(mm)	450x700	585x896
Lift Time	(sec)	17~22	15~20
Power Pack		380V/50HZ, AC 1.1kw	380V/50HZ, AC 1.1kw
Net Weight	(kg)	98	115

Stationary Lifting Table HW series

- ▲ Heavy Duty Design
- ▲ Machinery Directive 2006/42/EC, Low Voltage Directive 2014/35/EU (EN ISO 12100:2010; EN 1570-2:2016; EN 60204-1:2006+A1:2009+AC:2010)
- ▲ These models can be used in above-floor or in-floor pit applications.

Standard Safety Features

- ▲ Upper platform lifted with aluminum safety bar preventing descent on contact with obstructions.
- ▲ Low-tension (24V) control box with up-down buttons.
- ▲ Internal power pack equipped with relief valve against overloading and compensated flow valve for controlled lowering speed.
- ▲ Heavy duty cylinders with drainage system and check valve to stop the lift table lowering in case of hose burst.
- ▲ Safety clearance between scissors to prevent trapping during operation.


All Stainless Steel

Other Standard Features

- ▲ Self lubricating bushings on pivot points.
- ▲ Removable lifting eye to facilitate handling and lift table installation.
- ▲ High quality AC power packs are made in Europe.
- ▲ All currency 220V/230V/380V/400V/415V/460V are available.


HW4001

Removable lifting eye

Model No.	HW1001	HW1002	HW1003	HW1004	HW1005	HW1006	HW1007	HW1008
Capacity (kg)	1000							
Lowered Height (mm)	205		240				240	
Raised Height (mm)	990		1300				1300	
Platform Size (mm)	820×1300	1000×1600	850×1700	1000×1700	850×2000	1000×2000	1700×1500	2000×1700
Base Frame Size (mm)	710×1240			710×1600			1600×1250	
Lift Time (second)	20~25		30~35				30~40	
Power Pack	220-230-380-400-415-460V/50~60HZ, AC 1.1kw							
Net Weight (kg)	160	186	200	210	212	223	365	430

* Customized dimensions are available.

Model No.	HW2001	HW2002	HW2003	HW2004	HW2005	HW2006	HW2007	HW2008
Load Capacity (kg)	2000							
Lowered Height (mm)	230		250				250	
Raised Height (mm)	1000		1300				1400	
Platform Size (mm)	850×1300	1000×1600	850×1700	1000×1700	850×2000	1000×2000	1700×1500	2000×1800
Base Frame Size (mm)	785×1240			785×1640			1650×1420	
Lift Time (second)	20~25		25~35					
Power Pack	220-230-380-400-415-460V/50~60HZ, AC 1.5kw							
Net Weight (kg)	235	268	289	300	300	315	415	500

* Customized dimensions are available.

Model No.	HW4001	HW4002	HW4003	HW4004	W4005	HW4006	HW4007	HW4008
Load Capacity (kg)	4000							
Lowered Height (mm)	240		300				350	
Raised Height (mm)	1050		1400				1300	
Platform Size (mm)	1200×1700	1200×2000	1000×2000	1200×2000	1000×2200	1200×2200	1700×1500	2200×1800
Base Frame Size (mm)	900×1600			900×2000			1620×1400	
Lift Time (second)	30~40		45~50				35~45	
Power Pack	220-230-380-400-415-460V/50~60HZ, AC 2.2kw							
Net Weight (kg)	375	405	470	490	480	505	570	655

* Customized dimensions are available.

Lift Table Accessories


Wheel Chassis
Model no. OP01

Truck Handling Chassis
Model no. OP02

Non-slip Platform
Model no. OP03

Limit Switch
Model no. OP04

Manual Loading Flap
Model no. OP05

Mechanical Stop
Model no. OP06

Dual Function Foot Control Unit
Model no. OP07

Guard Rails With Gate
Model no. OP08

Turntable Rectangular
Model no. OP09

Turntable Circular
Model no. OP10

Roller Conveyors
Model no. OP11

External Power Pack Plastic Cover
Model no. OP12

Tipping Protection
Model no. OP13

Protective Skirts
Model no. OP14

Lifting Eye Bolts
Model no. OP15

Platform Ramp
Model no. OP16

Inspection Hatch
Model no. OP17

Reinforced Platform
Model no. OP18

Mechanical Locks
Model no. OP19

Roll-off Guard
Model no. OP20

Stationary Lifting Table 6Ton series



- ▲ Heavy Duty Design
- ▲ Machinery Directive 2006/42/EC, Low Voltage Directive 2014/35/EU (EN ISO 12100:2010; EN 1570-2:2016; EN 60204-1:2006+A1:2009+AC:2010)
- ▲ These models can be used in above-floor or in-floor pit applications.

Standard Safety Features

- ▲ Upper platform lifted with aluminum safety bar preventing descent on contact with obstructions.
- ▲ Low-tension (24V) control box with up-down buttons.
- ▲ Internal power pack equipped with relief valve against overloading and compensated flow valve for controlled lowering speed.
- ▲ Heavy duty cylinders with drainage system and check valve to stop the lift table lowering in case of hose burst.
- ▲ Safety clearance between scissors to prevent trapping during operation.

Other Standard Features

- ▲ Self lubricating bushings on pivot points.
- ▲ Removable lifting eye to facilitate handling and lift table installation.
- ▲ High quality AC power packs are made in Europe.
- ▲ All currency 220V/230V/380V/400V/415V/460V are available.



Model No.	Capacity (kg)	Min.Height (mm)	Max.Height (mm)	Platform size (mm)	Chassis Size (mm)	Lifting Time (s)	Net Weight (kg)	Power Pack (kw)
HW6001	6000	390	1150	1600×1000	1560×1000	25~35	540	380V/50HZ/3P 2.2KW
HW6002	6000	390	1150	1800×1000	1560×1000	25~35	555	
HW6003	6000	390	1150	1600×1400	1560×1000	25~35	586	
HW6004	6000	390	1150	1800×1400	1560×1000	25~35	605	
HW6005	6000	390	1150	1600×1500	1560×1500	25~35	670	
HW6006	6000	390	1150	1800×1500	1560×1500	25~35	690	
HW6007	6000	390	1150	1600×2000	1560×1500	25~35	728	
HW6008	6000	390	1150	1800×2000	1560×1500	25~35	752	
HW6009	6000	400	1600	2000×1000	1955×1000	30~40	675	
HW6010	6000	400	1600	2200×1000	1955×1000	30~40	690	
HW6011	6000	400	1600	2000×1400	1955×1000	30~40	728	
HW6012	6000	400	1600	2200×1400	1955×1000	30~40	748	
HW6013	6000	400	1600	2000×1500	1955×1500	30~40	835	
HW6014	6000	400	1600	2200×1500	1955×1500	30~40	858	
HW6015	6000	400	1600	2000×2000	1955×1500	30~40	908	
HW6016	6000	400	1600	2200×2000	1955×1500	30~40	934	

Stationary Lifting Table HD/HT/HF series

- ▲ Heavy Duty Design
- ▲ Lift tables conform to EN1570 norm and ANSI/ASME safety standards.
- ▲ These models can be used in above-floor or in-floor pit applications.
- ▲ Standard Safety Features .
- ▲ Upper platform lifted with safety bar preventing descent on contact with obstructions .
- ▲ Power supply :380-460V/50HZ/3phase or 220-230V/50HZ/1 phase are optional.

Standard Safety Features

- ▲ Upper platform lifted with aluminum safety bar preventing descent on contact with obstructions.
- ▲ Low-tension (24V) control box with up-down buttons.
- ▲ Internal power pack equipped with relief valve against overloading and compensated flow valve for controlled lowering speed.
- ▲ Heavy duty cylinders with drainage system and check valve to stop the lift table lowering in case of hose burst.
- ▲ Safety clearance between scissors to prevent trapping during operation.

Other Standard Features

- ▲ Self lubricating bushings on pivot points.
- ▲ Removable lifting eye to facilitate handling and lift table installation.



Safety Skirt optional



HD Model



HT Model



HF Model

Model No.	HD1000	HD2000	HD4000	HT1000	HT2000	HF400	HF800	HF1600
Load Capacity (kg)	1000	2000	4000	1000	2000	400	800	1600
Closed Height (mm)	305	360	400	470	560	600	710	800
Raised Height (mm)	1780		2050	3000		4140	4210	4250
Platform Size LxW (mm)	820x1300	850x1300	1700x1200	1700x1000			1700x1200	
Base Frame Size (mm)	640x1240	785x1220	1600x900	1600x1000	1606x1010	1600x1000	1606x1010	1620x1140
Lift Time (sec)	35~45		55~65	35~45	50~60	30~40	70~80	80~90
Power Pack	380V/50Hz, AC2.2kw							
Net Weight (kg)	210	295	520	450	750	548	858	1020

* Customized dimensions and Lifting height are available.

Stationary Lifting Table HW50 series

- ▲ Large platform for special size materials.
- ▲ Meet EN1570 norm and ANSI/ASME safety standard.
- ▲ High quality power unit made in Europe.
- ▲ **Meet EN1570 norm and ANSI/ASME safety standard.**


HW500L

Model No.	HW500L	HW501	HW502
Load Capacity (kg)		500	
Lowered Height (mm)		200	
Raised Height (mm)		1000	
Platform Size LxW (mm)	800x2000	1300x600	1300x800
Base Frame Size (mm)	680x1615		1240x585
Lift Time (sec)	20~25		10~15
Power Pack	380V/50HZ, AC 1.1kw		380V/50HZ, AC 0.75KW
Net Weight (kg)	193	122	132

Large Lifting Table HW-D series

- ▲ Large platform for special size materials.
- ▲ Heavy Duty Design.
- ▲ Meet EN1570 norm and ANSI/ASME safety standards.
- ▲ These models can be used in above-floor or in-floor pit applications.

Standard Safety Features

- ▲ Upper platform lifted with aluminum safety bar preventing descent on contact with obstructions.
- ▲ Low-tention (24V) control box with up-down buttons, and compensated flow valve for controlled lowering speed.
- ▲ Heavy duty cylinders with drainage system and check valve to stop the lift table lowering in case of hose burst.
- ▲ Safety clearance between scissors to prevent trapping during operation.

Other Standard Features

- ▲ Self lubricating bushings on pivot points.
- ▲ Removable lifting eye to facilitate handling and lift table installation.
- ▲ High quality AC power packs are made in Europe.


HW2000D

Model No.	HW2000D	HW4000D	HW8000D
Load Capacity (kg)	2000	4000	8000
Lowered Height (mm)	205	230	240
Raised Height (mm)	1000	1000	1050
Platform Size LxW (mm)	2500x820	2500x850	3000x1200
Base Frame Size (mm)	2460x680	2450x785	2970x930
Lift Time (sec)	40~45	30~40	40~50
Power Pack	380V/50Hz, AC1.1kw	380V/50Hz, AC2.2kw	380V/50Hz, AC2.2kw
Net Weight (kg)	265	360	705

* Customized dimensions and loading are available.

"U" Shape Lifting Table HU series

- ▲ "U" Shaped Top Platform
- ▲ "U" shaped table are specially made for handling pallets, no need for a pit or load.
- ▲ They are manufactured to all European safety standards including EN1570:1999.
- ▲ Remote power pack with pedestal and controls, IP54 protection.
- ▲ Upper platform fitted with safety perimeter to prevent descent on contact with obstructions.
- ▲ 24V control box with UP and DOWN buttons and emergency stop.
- ▲ External power pack equipped with a relief valve against overloading and a compensated flow valve for controlling lowering speed.
- ▲ Hose burst safety valve to stop the lift table lowering in case of hose breakage.
- ▲ Removable lifting eyes to facilitate handling and installation of the lift table.
- ▲ Oil-less bushings on pivot points.
- ▲ Quick assembly joint for oil hose.
- ▲ **Meet EN1570 norm and ANSI/ASME safety standard.**

**HOT!
SALE**


HU1000

All Stainless Steel

HU1000
(Min. Height 85mm)

HU1000
(Max. Height 860mm)

Model No.	HU600	HU1000	HU1500
Load Capacity (kg)	600	1000	1500
Max. Height H (mm)	860	860	860
Min. Height h (mm)	85	85	105
Platform Size LxW (mm)	1450x985	1450x1140	1600x1180
Lifting Time (sec)	20~25	20~25	25~30
Power Pack	380V/50Hz, AC1.1kw	380V/50Hz, AC1.1kw	380V/50Hz, AC1.5kw
Net Weight (kg)	207	280	380

Note: Clearance between two forks for pallet truck access 585mm.

Low Profile Lift Table HY Series

- ▲ Heavy duty design with larger platform
- ▲ These tables achieve a low closed height, eliminating the need for a pit installation.
- ▲ They are manufactured to all European safety standards including EN1570:1999.
- ▲ Remote power pack with pedestal and controls, IP54 protection.
- ▲ Upper platform fitted with safety perimeter to prevent descent on contact with obstructions.
- ▲ 24V control box with UP and DOWN buttons and emergency stop.
- ▲ External power pack equipped with a relief valve against overloading and a compensated flow valve for controlling lowering speed. Power supply are AC 380V/50HZ/3phase.
- ▲ Hose burst safety valve to stop the lift table lowering in case of hose breakage.
- ▲ Removable lifting eyes to facilitate handling and installation of the lift table.
- ▲ Oil-less bushings on pivot points.
- ▲ Loading ramp is a standard equipment.
- ▲ **Meet EN1570 norm and ANSI/ASME safety standard.**

**HOT!
SALE**



All Stainless Steel



Ramp is included

Model	HY1001	HY1002	HY1003	HY1004	HY1005	HY1501	HY1502	HY1503	HY2001	HY2002
Capacity (kg)			1000				1500			2000
Platform Size LXW(mm)	1450×1140	1600×1140	1450×800	1600×800	1600×1000	1600×800	1600×1000	1600×1200	1600×1200	1600×100
Min. Height (mm)			85					105		
Max. Height (mm)			860 (optional 900mm)				870 (optional 900mm)			
Stroke (mm)			775 (optional 810mm)							
Lifting Time (second)			25				30		35	
Power Pack		380V/50HZ,AC 1.1kw				380V/50HZ,AC 1.5kw			380V/50HZ,AC 2.2kw	
Net Weight (kg)	357	364	326	332	352	367	401	415	419	405

Solid Scissor Lift Table HIW Series

- ▲ Heavy Duty Design
- ▲ Lift tables conform to EN norm and ANSI/ASME safety standards.
- ▲ These models can be used in above-floor or in-floor pit applications.
- ▲ Standard Safety Features .
- ▲ Upper platform lifted with safety bar preventing descent on contact with obstructions .
- ▲ Power supply :380-460V/50~60HZ/3phase or 220-240V/50~60HZ/1 phase are optional.
- ▲ **Meet EN1570 norm and ANSI/ASME safety standard.**

**HOT!
SALE**



Model No.		HIW50	HIW100	HIW200	HIW300
Min. Platform Height	H1 (m)	190	190	190	220
Max. Platform Height	H2 (m)	1010	1010	1010	1010
Loading Capacity	(kg)	500	1000	2000	3000
Platform Size	(mm)	1300x800		1300x800	
Lifting time	(s)	22	22	25	25
Voltage	(V/Hz)	AC220-240V/50~60HZ/1P or AC380-460V/50~60HZ/3P			
Power Pack	Lifting (KW)		0.75		1.5
Net Weight	(kg)	200	240	280	340

* Customized dimensions are available.

Accessories Pallet Carousels for platform

- ▲ The low profile design ensures efficient loading and unloading of both pallet truck and forklift.
- ▲ The turntable rotates materials 360 degree to mak jobs easier.
- ▲ Strong bearings to provide max load capacity 2720kg(6000lbs0).
- ▲ The carousel which use on floor with overal height is on 22mm(7/8").
- ▲ The safety detent lock prevents the carousel from rotating when not in use.
- ▲ The unit is all steel constructions and has a powder-coated finish.



Open Type Model CPA

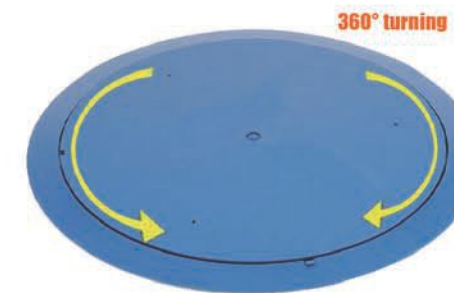


Close Type Model CPB

Model No.		CPA20-1	CPA20-2	CPA20-3	CPA40-1	CPA40-2	CPA60-1
Load Capacity (kg/lbs)		1000/2200	1000/2200	1000/2200	2000/4400	2000/4400	3000/6600
Top Inside Dia. (mm/in)		673(26 1/2)	825(32 1/2)	915(36)	915(36)	1130(44 1/2)	920(36 1/2)
Top Outside Dia (mm/in)		762(30)	915(36)	1016(40)	1016(40)	1220(48)	1016(40)

Model No.		CPB20-1	CPB20-2	CPB20-3	CPB40-1	CPB40-2	CPB60-1
Load Capacity (kg/lbs)		1000/2200	1000/2200	1000/2200	2000/4400	2000/4400	3000/6600
Top Inside Dia. (mm/in)		673(26 1/2)	825(32 1/2)	915(36)	915(36)	1130(44 1/2)	920(36 1/2)
Top Outside Dia (mm/in)		762(30)	915(36)	1016(40)	1016(40)	1220(48)	1016(40)

Pallet Carousels for floor



Turntable Platform



Pallet Truck drive on easily



Model No.	Load Capacity (kg/lbs)	Top Inside Dia.(mm/in)	Top Outside Dia.((mm/in))	Height(mm/in)	Weight(kg/lbs)
CPP001	2000(4400)	1285(50 1/2)	1525(60)	22(7/8)	125(276)
CPP002	2000(4400)	1145(45)	1370(54)	22(7/8)	110(240)
CPP003	2000(4400)	990(39)	1220(48)	22(7/8)	105(230)

“E” shape Lifting Table HE Series

**HOT!
SALE**

- ▲ These tables achieve a low closed height, eliminating the need for a pit installation.
- ▲ They are manufactured to all European safety standards including EN1570:1999.
- ▲ Remote power pack with pedestal and controls, IP54 protection.
- ▲ 24V control box with UP and DOWN buttons and emergency stop.
- ▲ External power pack equipped with a relief valve against overloading and a compensated flow valve for controlling lowering speed.
- ▲ Hose burst safety valve to stop the lift table lowering in case of hose breakage.
- ▲ Power supply are AC 220-460V/50HZ.

▲ **Meet EN1570 norm and ANSI/ASME safety standard.**



Model No.	HE500	HE1000	HE1500	HE2000
Loaded Capacity (kg)	500	1000	1500	2000
Min. Platform Height (mm)	85	85	105	100
Max. Platform Height (mm)	860	860	860	820
Platform Size (mm)	1450x1200	1450x1200	1600x1300	1500x1300
Lifting time (sec.)	25 ~ 30	25 ~ 30	30 ~ 35	30 ~ 40
Power Pack (V/Hz)	380/50, AC 1.1Kw	380/50, AC 1.1Kw	380/50, AC 2.2Kw	380/50, AC 2.2Kw
Net Weight (kg)	207	280	380	500

Super-low Lifting Table HX Series

**HOT!
SALE**

- ▲ Heavy duty design for large platform.
- ▲ External power pack equipped with a relief valve against overloading and a compensated flow valve for controlling lowering speed.
- ▲ These tables achieve a low closed height, eliminating the need for a pit installation.
- ▲ They are manufactured to all European safety standards including EN1570:1999.
- ▲ Remote power pack with pedestal and controls, IP54 protection.
- ▲ Upper platform fitted with safety perimeter to prevent descent on contact with obstructions.
- ▲ 24V control box with UP and DOWN buttons and emergency stop.
- ▲ Hose burst safety valve to stop the lift table lowering in case of hose breakage.
- ▲ Removable lifting eyes to facilitate handling and installation of the lift table.
- ▲ Oil-less bushings on pivot points.
- ▲ Power supply are AC 220-460V/50HZ/3phase.

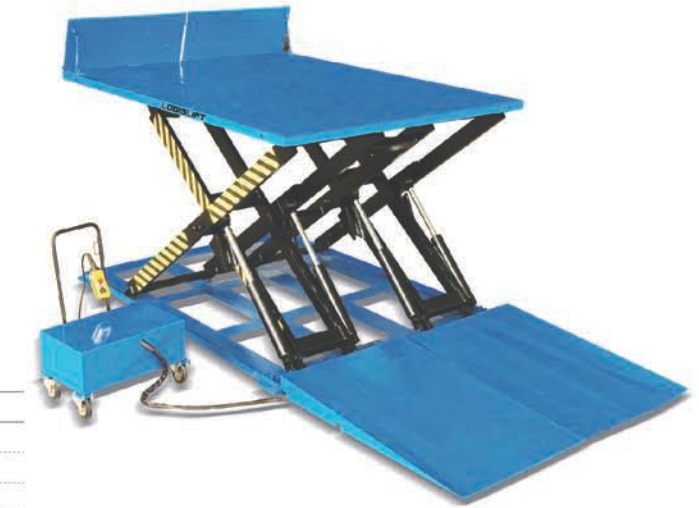
▲ **Meet EN1570 norm and ANSI/ASME safety standard.**



Model No.	HX500	HX1000	HX1500
Load Capacity (kg)	500	1000	1500
Min. Platform Height (mm)	25	35	35
Max. Platform Height (mm)	800	800	800
Platform Size (mm)	1270x1100	1270x1100	1270x1100
Lifting time (sec.)	25 ~ 30	25 ~ 30	25 ~ 30
Power Pack (V/Hz)	380/50	380/50	380/50
Stroke (mm)	775	765	765
Net Weight (kg)	315	395	470

Loading Table HY2500

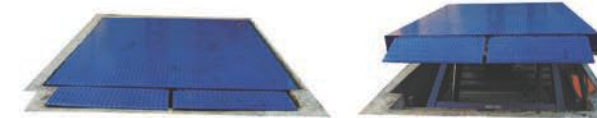
- ▲ Heavy duty design.
- ▲ For loading and unloading goods between ground and containers or trucks.
- ▲ Removable lifting eye to facilitate handling and loading table installation.
- ▲ **Meet EN1570 norm and ANSI/ASME safety standard.**



Model No.	HY2500
Capacity (kg)	2500
Lowered Height (mm)	140
Raised Height (mm)	1700
Platform Size LxW (mm)	2000x2600
Base Frame Size (mm)	1900x2510
Lift Time (sec)	60~70
Power Pack	380V/50HZ, AC 2.2kw
Net Weight (kg)	1700

Loading Dock TL series

- ▲ Level transfer from any dock height to any truck bed height.
- ▲ Leveler can go all the way down to ground level.
- ▲ No ramps or inclines.
- ▲ 5000kgs Capacity.
- ▲ **Meet EN1570 norm and ANSI/ASME safety standard.**



Model No.	TL3000	TL5000
Capacity (kg)	5000	5000
Raised Height (mm)	2630	2630
Lowered Height (mm)	600	600
Platform Size LxW (mm)	2000x3000	2000x3000
Lifting Time (s)	65~75	65~75
Power Pack (V/Hz)	380/50, AC 2.2KW	380/50, AC 3.0KW
Net Weight (kg)	1500	1750

Mobile Dock Leveler DL-T Series

- ▲ Convenient to move anywhere load cargo.
- ▲ Conform to CE directive.



Model No.		DL6T	DL8T	DL10T	DL12T	DL15T
Load Capacity	(kg)	6000	8000	10000	12000	15000
Slope Length A	(m)	7	7	7.5	8	8
Platform Length B	(m)	2.2	2.2	2.4	4	4
Lip Plate Length C	(m)	0.3	0.3	0.3	0.3	0.3
Guide Plate Length D	(m)	1	1	1	1	1
Overall Length E	(m)	10.5	10.5	11.2	11.2	11.2
Net Width F	(m)	2	2	2	2.3	2.3
Overall Width G	(m)	2.1	2.1	2.1	2.46	2.5
Min.Height H	(m)	1.2	1.2	1.2	1.2	1.2
Adjustable Height I	(m)	0.5	0.5	0.5	0.5	0.5
Max.Height J	(m)	1.7	1.7	1.7	1.7	1.7

Static Dock Leveler DL-E Series

- ▲ Useful to load goods onto a truck or a container.
- ▲ Conform to CE directive.

**HOT!
SALE**



Model No.		DLA6E	DLB6E	DLA8E	DLB8E	DLA10E	DLB10E
Load capacity	(kg)	6000	6000	8000	8000	10000	10000
Platform size	(mm)	2000x2000	2500x2000	2000x2000	2500x2000	2000x2000	2500x2000
Lip plate width	(mm)	400	400	400	400	400	400
Tilting up A	(mm)	300	400	300	400	300	400
Tilting down B	(mm)	250	300	250	300	250	300
Motor	(kw)	0.75	0.75	0.75	0.75	0.75	0.75
Pit size	(mm)	2060x2040x600	2560x1040x600	2060x2040x600	2560x1040x600	2060x2040x600	2560x1040x600

Loading Dock Platform DLD Series

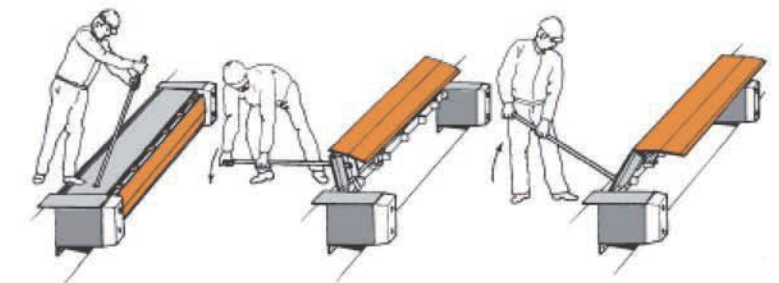
- ▲ Movable, can be used inside or outside of warehouse.
- ▲ Ideal for loading containers with pallet truck or stacker.
- ▲ Heavy-duty cylinder with safety velocity fuse and pressure compensated flow control valve.
- ▲ Heavy-duty power pack with pressure relief valve, check valve, down solenoid valve. AC or DC power is available.
- ▲ Special sizes are available upon request.



Model No.	Load Capacity (kg)	Platform size (mm)	Lap size (mm)	Lifting Height (mm)	Power supplier (mm)	Power Pack (kw)	Overall Dimension (mm)
DLD2000	2000	2000x1600	600x1600	1600mm	AC, 380V/50HZ/3P	3	2473x1966x2130

Edge Loading Dock DLC Series

- ▲ Edge-of-Dock Leveler-series can be integrated into the loading dock ensuring that the leveler is in line with the front of the dock. To allow the unit to be installed correctly a Galvanised Steel cast-in frame/angle is necessary. For front-of-dock fixing a securely cast-in 100 mm by 100 mm steel angle will suffice.
- ▲ Edge-of-Dock Leveler-series are smooth and easily to operate. Whether using the handle of the wall-mounted push button.



Electric Rotary Platform EDR Series

- ▲ Pedal switch which is easy to operate.
- ▲ Witch fork pockets, which is easy to move by forklift.
- ▲ Power currency is optional.

Model No.		EDR1000	EDR2000
Load Capacity	(kg)	1000	2000
Dia. Of the Platform	(mm)	1220	1220
Platform Height	(mm)	286	286
Speed	(r/min)	12	12
Motor	(KW)	2.2	2.2
Wheel	(mm)	Dia.150	Dia.150
Fork Pocket	(mm)	178*54	178*54
Net Weight	(KG)	200	220



Semi-Electric Order Picker WF series

- ▲ Dramatically reduces strain, increases safety and productivity in those repeat picking applications.
- ▲ Hand pushed unit which is easy to maneuver.
- ▲ Quick battery operated lift to desired height.
- ▲ Two parking brakes ensure safety.
- ▲ Supplied with battery and automatic charger.
- ▲ Additional safety features such as mandatory two-handed controls safety bar, etc.
- ▲ **Conforms to EN280.**

**HOT!
SALE**



WF0215



Model No.	WF0215	WF0227	WF0233	WF0235	WF0240	WF0245
Load Capacity (kg)	200	200	200	200	200	200
Max. Platform Height (mm)	1500	2700	3300	3500	4000	4500
Max. Working height (H1) (mm)	3500	4700	5300	5500	6000	6500
Ground Clearance (H2) (mm)	30	30	30	30	30	30
Platform size (1xn) (mm)	600x550	600x640	600x640	600x640	600x640	600x640
Lifting Motor (v/kw)	12/0.8	12/1.6	12/1.6	12/1.6	12/1.6	12/1.6
Battery (v/Ah)	12/60	12/120	12/120	12/120	12/120	12/120
Charger (v/A)	12/8	12/15	12/15	12/15	12/15	12/15
Overall Length (A) (mm)	1210	1300	1300	1300	1300	1300
Overall Width (B) (mm)	630	850	850	850	850	850
Overall Height (C) (mm)	1040	1760	2040	1670	1830	2000
Net Weight (kg)	150	290	350	390	400	450

Self-propelled Order Picker EWF series

Full-Electric series

- ▲ The light weight and maneuverability make it convenient to use in supermarket and warehouse.
- ▲ 25% gradeability when driving on slopes.
- ▲ Zero-turn radius and compact design (1.53mx0.70m) provide access in and around confined work areas.
- ▲ On-board diagnostic help operators troubleshoot on the fly and mark adjustments in the field to maximize uptime.
- ▲ Standard equipment.
- ▲ Can Bus Technology.
- ▲ Proportional controls.
- ▲ Battery charge indicator.
- ▲ Forklift pockets.
- ▲ Safety brackets.
- ▲ Low voltage alarm.
- ▲ Emergency down button.
- ▲ Charger protection.
- ▲ Controller temperature protection
- ▲ 2WD.
- ▲ Over load protection.



Model No.	EWF0327	EWF0330	EWF0335	EWF0340	EWF0345
Max. Platform Height (mm)	2700	3000	3500	4000	4500
Max. Machine Height (mm)	4200	4500	5000	5500	6000
Ground Clearance (mm)	40	40	40	40	40
Lift Rated Capacity (kg)	300	300	300	300	300
Platform Size (mm)	700x650				
Max. Drive Speed (platform Stowed) (km/h)	4				
Max. Drive Speed (platform Elevated) (km/h)	1.6				
Min. turning Radius (mm)	1600				
Max. Climbing Capacity (%)	15~20				
Driving Wheel Size (mm)	Φ230x80				
Caster Size (in)	6				
Driving Motor (v/kw)	2x24/0.4				
Lifting Motor (v/kw)	24/1.6				
Anerold battery (v/Ah)	2x12/150				
Charger (V/A)	24/15				
Overall Length (mm)	1530			1620	
Overall Width (mm)	760				
Overall Height (mm)	1730	1830	2130	1840	2000
Overall Net Weight (kg)	430	500	580	660	680

Semi-Electric Access Lifts SJA series



- ▲ Fully stable safe working load of 300kg
- ▲ Sturdy rectangular base frame with 8" swivel casters for easy rolling and maneuverability
- ▲ Heavy duty tubular steel guardrails maximize durability
- ▲ Solid steel deck platform with slip-resistant surface
- ▲ Battery powered elevation with inbuilt variable charger 110 ~240 volt
- ▲ Bubble levels indicate proper leveling, essential for safe operation
- ▲ Manual platform lowering valve for emergency.
- ▲ Working height from 2.8m to 7.8m.
- ▲ Conforms to EN 1570 and ANS/ASME safety standard.



Model No.		SJA0318	SJZ0330	SJA0339	SJA0348	SJA0358
Load Capacity	(kg)	300	300	300	300	300
Max. Platform Height (H)	(mm)	1800	3000	3900	4800	5800
Min. Platform Height (H1)	(mm)	550	650	750	850	950
Ground Clearance (H2)	(mm)	60	60	60	60	60
Platform size (1xn)	(mm)	1150x600	1150x600	1150x600	1150x600	1150x600
Lifting Motor	(v/kw)	12/0.8	12/0.8	12/0.8	12/0.8	12/0.8
Battery	(v/Ah)	12/80	12/80	12/80	12/80	12/80
Charger	(v/A)	12/15	12/15	12/15	12/15	12/15
Overall Length (A)	(mm)	1280	1280	1280	1280	1280
Overall Width (B)	(mm)	730	730	730	730	820
Overall Height (C)	(mm)	1640	1650	1750	1880	2040
Net Weight	(kg)	360	390	450	480	550

Self-Propelled Access Lifts SJD series



- ▲ Extended platform provide more workspace.
- ▲ Compact size (1.18m×0.76m×1.82m) provide access in and around confined work areas.
- ▲ Compact design provide access in and around confined work areas.
- ▲ 25% gradeability when driving on slopes.
- ▲ On-board diagnostic help operators troubleshoot on the fly and make adjustments in the field to maximize uptime.

Standard Equipment

- Self-lock gate on platform
- Drivable at full height
- Non marking tyres
- 2WD
- Automatic brakes
- Emergency lowering system
- Emergency stop buttons
- Cylinder holding valve
- Onboard diagnostic system
- Horn
- Safety brackets
- Charger protection
- Flashing beacon



Model No.		SJD0318	SJD0330	SJD0339	SJD0348
Load Capacity	(kg)	300	300	300	300
Max. Platform Height (H)	(mm)	1800	3000	3900	4800
Min. Platform Height (H1)	(mm)	640	720	800	880
Ground Clearance (H2)	(mm)	60	60	60	60
Platform size (1xn)	(mm)	1150x700	1150x700	1150x700	1150x700
Lifting Motor	(v/kw)	24/0.8	24/0.8	24/0.8	24/0.8
Driving Motor	(v/kw)	24/0.4	24/0.4	24/0.4	24/0.4
Battery	(v/Ah)	2x12/80	2x12/80	2x12/80	2x12/80
Charger	(v/A)	24/20	24/20	24/20	24/20
Overall Length (A)	(mm)	1280	1280	1280	1280
Overall Width (B)	(mm)	760	760	760	760
Overall Height (C)	(mm)	1760	1830	1930	2040
Net Weight	(kg)	490	600	660	690

Aerial Working Platform SJY series

HOT! SALE

The scissors aerial work platform is a special equipment that can be widely used for the purpose of working high above the ground. It's scissors-like mechanical structure gives the platform a high stability when it is lifted up. The spacious work platform and high bearing capacity have enlarged the aerial service scope of the platform and make it suitable for several persons working together simultaneously. With the equipment, aerial work will be done more efficiently and more safely.

- ▲ The main structure of high-strength manganese steel
- ▲ Protection device against overloading
- ▲ Protection device against dropping
- ▲ Urgent descending device

Optional Parts Of The Lift Table

- AC-380V power supply (of common size)
- AC-220V power supply
- DC power supply
- Manual hydraulic power
- Manual/electrical power supply



Model No.	SJY0303	SJY0503	SJY0304	SJY0504	SJY0306	SJY0506	SJY0307	SJY0507	SJY0309	SJY0509
Rated Load (kg)	300	500	300	500	300	500	300	500	300	500
Max. Height (mm)	3000		4500		6000		7500		9000	
Min. Height (mm)	800	1000	1100		980		1200	1280	1620	
Platform Size (mm)	1300×700		1300×850		1800×880		1800×1000			
Elevating Time (s)	16		31		49	54	62		72	81
Motor Power (kw)	0.75				1.5					
Voltage (v)	380v/50hz									
Total Weight (kg)	400	420	450	560	750		800	1150	1200	1260

Model No.	SJY0510	SJY0311	SJY0511	SJY0312	SJY0512	SJY0314	SJY0514	SJY0316	
Rated Load (kg)	500	300	500	300	500	300	500	300	
Max. Height (mm)	10000	11000		12000		14000		16000	
Min. Height (mm)		1620		1820		1980		2140	
Platform Size (mm)		2100×1150		2450×1350			2800×1500		
Elevating Time (s)	65	73	80	85	90	98	120	130	
Motor Power (kw)	2.2			3					
Voltage (v)	380v/50hz								
Total Weight (kg)	1320		1400	1550	1950	2200	2500	2900	

Self-Propelled Aerial Platform FSJY series

HOT! SALE

The scissors aerial work platform is a special equipment that can be widely used for the purpose of working high above the ground. It's scissors-like mechanical structure gives the platform a high stability when it is lifted up. The spacious work platform and high bearing capacity have enlarged the aerial service scope of the platform and make it suitable for several persons working together simultaneously. With the equipment, aerial work will be done more efficiently and more safely.

- ▲ The main structure of high-strength manganese steel
- ▲ Protection device against overloading
- ▲ Protection device against dropping
- ▲ Urgent descending device



Model No.		FSJY0608	FSJY0810	FSJY1010	FSJY1012	FSJY1214
Max. Working Height (m)		8	10	10	12	13.8
Max. Platform Height (m)		6	8	8	10	11.8
Overall Length (m)		1.82	2.41	2.41	2.41	2.41
Overall Width (m)		0.76	0.83	1.15	1.15	1.15
Overall Height(Rails up) (m)		2.19	2.3	2.3	2.47	2.62
Overall Height(Rails down) (m)		1.68	1.99	1.99	1.91	2.06
Platform Size(Length/Width) (m)		1.65*0.76	2.27*0.83	2.27*1.15	2.27*1.15	2.27*1.15
Platform Extension Size (mm)		900	900	900	900	900
Ground Clearance(Stow ed) (mm)		72	100	100	100	100
Ground Clearance(Raised) (mm)		18	19	19	19	19
Wheel Base (m)		1.36	1.87	1.87	1.87	1.87
S.W.L (kg)		230	230	450	320	320
S.W.L On Extension (kg)		113	113	113	113	113
Maximum Workers Number		2	2	2	2	2
Turning Radius(Inside) (m)		0.7	1.2	1.2	1.2	1.2
Turning Radius(Outside) (m)		1.8	2.1	2.1	2.2	2.2
Travel Speed(Stow ed) (km/h)		3.5	3.5	3.5	3.5	3.5
Travel Speed(Raised) (km/h)		0.8	0.8	0.8	0.8	0.8
Lifting Speed (sec.)		15-20	30-35	33-38	52-58	62-68
Low ering Speed (sec.)		25-30	34-39	33-38	39-45	42-48
Gradeability		25%	25%	25%	25%	25%
Max. Working Slope(CE/ANSI)		1.5°/3°	1.5°/3°	1.5°/3°	1.5°/3°	1.5°/3°
Tyre (mm)		Φ305*100	Φ381*127	Φ381*127	Φ381*127	Φ381*127
Lifting/Drive Motor (kw)		3.3	3.3	3.3	4.5	4.5
Battery (V/Ah)		4*6V/220	4*6V/220	4*6V/220	4*6V/240	4*12V/290
Integrated Charger (V/A)		24V/30A	24V/30A	24V/30A	24V/30A	24V/30A
Net Weight (kg)		1520	2150	2210	2610	2840

Mobile Aluminum Work Platform AWP1 series

Single-Mast series

- ▲ A revolutionary design of mast, provide the most stable in the industry.
- ▲ Provides access to overhead fixture and stocked shelves much safer than traditional ladders or scaffolding.
- ▲ Available in AC and DC power.
- ▲ Suit for single person to work upraised place.
- ▲ Max. lifting height as 4m, 6m, 8m, 9m and 10m.
- ▲ Conorms CE EN280:2001+A2:2009, EN60204-1:2006+A1:2009, EN ISO14121-1:2007



Mobile Aluminum Work Platform AWP2 series

Double-Mast series

- ▲ A revolutionary design of mast, provide the most stable in the industry.
- ▲ Provides access to overhead fixture and stocked shelves much safer than traditional ladders or scaffolding.
- ▲ Available in AC and DC power.
- ▲ Suit for 1-2 persons to work upraised place.
- ▲ Max. lifting height as 6m, 8m, 9m, 10m, 11m, 12m and 14m
- ▲ Conorms CE EN280:2001+A2:2009, EN60204-1:2006+A1:2009, EN ISO14121-1:2007



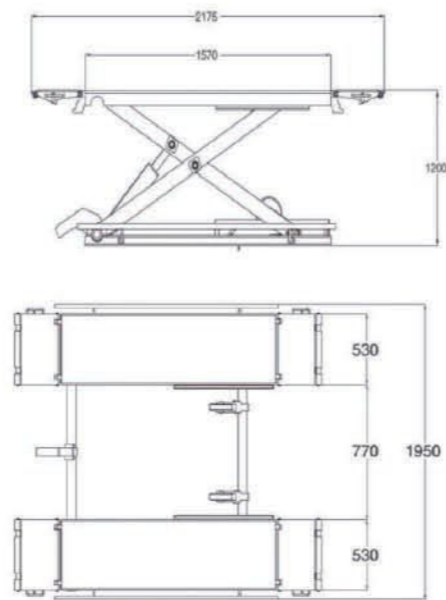
Model No.		AWP1-4	AWP1-6	AWP1-8	AWP1-9	AWP1-10
Max. Platform Height	(mm)	4000	6000	8000	9000	10000
Working Height	(mm)	6000	8000	10000	11000	12000
Ground Clearance	(mm)	80	80	80	80	80
Lift Rated Capacity	(kg)	150	150	125	125	125
Platform Size	(mm)	650x580				
Outspread Size	(mm)	1930x1770				
Electrical Source	AC (V)	220/230 (Standard)				
	DC (V)	24 (Optional)				
Battery	(V/Ah)	2x12/80 (optional)				
Charger	(V/A)	24/10 (optional)				
Lifting Motor	AC (V/KW)	220/0.75				
	DC (V/KW)	24/2.0 (optional)				
Overall Length	(mm)	1150	1300	1300	1420	1450
Overall Width	(mm)	750	800	800	850	850
Overall Height	(mm)	1650	1980	1980	1980	2150
Overall Net Weight	AC (kg)	250	280	320	360	400
	DC (kg)	280	310	350	390	430

Model No.		AWP2-6	AWP2-7	AWP2-8	AWP2-9	AWP2-10	AWP2-11	AWP2-12	AWP2-14
Max. Platform Height	(mm)	6000	7000	8000	9000	10000	11000	12000	14000
Working Height	(mm)	7700	8700	9700	10700	11700	12700	13700	15700
Ground Clearance	(mm)	80	80	80	80	80	80	80	80
Lift Rated Capacity	(kg)	300	300	300	300	250	200	200	200
Platform Size	(mm)	1100x600	1160x600	1160x600	1320x600	1320x600	1320x600	1420x600	1420x600
Electrical Source	AC (V)	220 (standard)							
	DC (V)	24 (optional)							
Battery	(V/Ah)	2x12/80 (optional)							
Charger	(V/A)	24/10 (optional)							
Lifting Motor	AC (V/kw)	220/1.5							
	DC (V/kw)	24/2.0 (optional)							
Overall Length	(mm)	1500	1500	1500	1640	1640	1720	1720	1820
Overall Width	(mm)	800	800	800	900	900	1000	1000	1100
Overall Height	(mm)	1980	1980	1980	1980	1980	2040	2040	2380
Net Weight	AC (kg)	420	450	550	600	620	650	700	800
	DC (kg)	450	480	580	630	650	680	730	830

Low Profile Movable Car Lift FCA series

HOT! SALE

- ▲ On ground installation, lowest height 105mm only.
- ▲ Rigid connection between two platforms ensure synchronization.
- ▲ All seal kits for cylinders are made in Italy and hydrocylinder is made in Taiwan.
- ▲ Extendable platform easily to go through and available for different cars.
- ▲ High quality hydrocylinder offer safety and avoid leakage.
- ▲ 24V control system and limited switch is standard.
- ▲ Electric unlocking device is standard, air unlocking device is optional.
- ▲ CE approved, 120% dynamic loading tested and 150% static loading tested.
- ▲ Power pack AC 1.5KW, 220V/380V for options.
- ▲ Working environment temperature 45 ~ 40°.
- ▲ Noise:<76db(A)



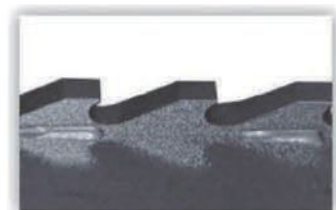
extendable platform



double cylinder



movable kits



Locking teeth



Electric unlocking device

Model No.		FCA3000	FCA4000
Load Capacity	(kg)	3000	4000
Min. Platform Height	(mm)	105	105
Max. Platform Height	(mm)	1000	1200
Overall Length	(mm)	2080	2175
Overall Width	(mm)	1955	1950
Single Platform width	(mm)	460	530
Power Pack		AC 220V-1P/380V-3P	
Net Weight	(kg)	450	550

Two Posts Car Lift FCB/FCC series

HOT! SALE

- ▲ 14 bended column, safer and stronger.
- ▲ 4000/4500kgs lifting capacity.
- ▲ Single side manual release lock system.
- ▲ Aluminum motor.
- ▲ Power pack 2.2kw, 110-230V/1P; 220V-380V/3P;
- ▲ Lifting height 1980mm



safety teeth



support pad



swing arm



bended column



control box



release handle



FCB4000 / FCB4500



FCC4000 / FCC4500

